

**Owner's Manual  
And  
Assembly Instructions**



*The Ultimate*

*Wooden Playcenter*

**Model: 1-AP031-06**



# Adventure Playsets

Amarillo Texas 79119

Thank you for purchasing an Adventure Playsets Playcenter. We hope it will bring you and your children many years of safe and enjoyable backyard fun.

## Table of Contents

Letter to Customer .....	2
Positioning Your Playcenter .....	3
Tools Required for Assembly .....	3
Helpful Installation Hints .....	4
Suggested Playground Surfacing .....	5
Operating Instructions .....	6
Maintenance Instructions .....	7
Disposal Instructions .....	7
CPSC Information Sheet .....	8
Assembly Instructions .....	9
Frequently Asked Questions .....	39
Customer Notes .....	40
Limited Warranty .....	41
Warranty Claim Procedure .....	42
Customer Registration Card .....	43
UK Registration Card .....	45

Your owner's manual should be read carefully before starting assembly.



## **STOP...PLEASE READ!!**

IF YOU HAVE ANY QUESTIONS OR ARE MISSING A PART, PLEASE DO NOT CONTACT THE RETAILER THAT YOU PURCHASED THIS PRODUCT FROM.

PLEASE CALL US DIRECTLY AT THE FACTORY, 1-800-856-4445, OUR TRAINED STAFF WILL ANSWER YOUR QUESTIONS AND OR EXPEDITE PARTS THAT YOU MAY NEED.

Dear Customer:

Thank you for purchasing an Adventure Playsets Playcenter. We hope it will bring you and your children many years of safe and enjoyable backyard fun. Adventure Playsets equipment is recommended for use by **children 3 to 10 years of age**. Adventure Playsets structures are **not intended for public use**. **Adventure Playsets does not warranty any of its residential structures subjected to commercial use.**



**WARNING:** This Symbol points out important safety instructions which, if not followed, could endanger the personal safety of yourself and your children and/or damage your property. You **MUST** read and follow all instructions in this manual before attempting to use this playcenter.



**WARNING:** Children must **NOT** use this playcenter until unit has been completely assembled and inspected by an adult to insure set has been properly installed and anchored.

Please follow all recommendations below. **Failure to do so may result in the warranty being void and/or safety violations that could result in serious injury.** The following information has been provided to help you in your installation, continued satisfaction, and safe operation of your Adventure Playsets purchase.

Always keep the safety of your children in mind as your play structure is being built and as your children play on the set. Before your children play on the set please review the Operation Instructions with them to help ensure their safety.

**PLEASE RETAIN THESE INSTRUCTIONS FOR FUTURE REFERENCE. KEEP THEM IN A SAFE PLACE WHERE YOU CAN REFER TO THEM AS NEEDED.**

**Please do NOT return the playcenter to the retailer from which it was purchased, without first contacting Customer Service.**

### ***General Information:***

*Please take time and fill out the information below. This information will be needed for warranty issues.*

**Date of Purchase:** \_\_\_\_\_ **Date stamped on box:** \_\_\_\_\_

**Manufacturer:** Adventure Playsets  
14201 Interstate 27  
Amarillo, TX 79119  
Ph. #: 1-800-856-4445  
Fax: 806-622-1515  
E-mail: **custservice@adventureplaysets.com**  
Website: **http://www.adventureplaysets.com**

**Vendor:** \_\_\_\_\_  
\_\_\_\_\_  
\_\_\_\_\_

### **Unit Type:**

Unit Name: The Ultimate                      Revision Date: 09/22/05  
Unit Model Number: 1-AP031-06


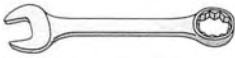
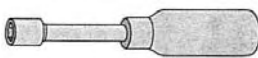



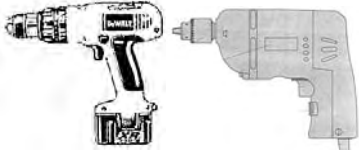



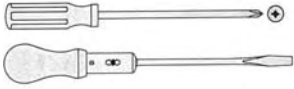

Maximum Fall Height:                      7'-3"

The instructions and owner’s manual for your new Playcenter should be read in its entirety before assembly, to minimize problems and safety issues. We recommend reading the owner’s manual thoroughly after you have identified all of the parts for your Playcenter as discussed in the Helpful Installations Hints section below.

### ***Positioning Your Play center***

1. The Playcenter is designed to be installed on a level surface **by an Adult with an Adult helper**. Try to place in a flat area of your yard to minimize ground preparation.
2. Place the equipment not less than 6 ft from any structure or obstruction such as a fence, garage, house, overhanging branches, laundry lines, or electrical wires.
3. It is a good idea to place your Playcenter in an area that is convenient for adults to watch children at play.
4. The area that you choose should be policed for glass, rocks or anything jagged or sharp that could endanger your children’s safety. The surface underneath your play system can cause or prevent injuries. We have additional suggestions in the Suggested Playground Surfacing Section.
5. Do not build your playset on top of surfacing material.

### ***Tools Required for Installation:***

		
(Level 24")	(Open end Wrenches 1/2" & 7/16")	(Nut drivers 1/2" & 9/16")
		
(Tape Measure)	(3/8" Drive Ratchet, 1/2" & 9/16" std sockets 1/2" & 9/16 deep sockets)	(Claw Hammer)
		
( 3/8" Cordless Drill or Electric drill)	(3/16", 5/16" & 3/8" drill bits)	(Drill attachments: Phillips head screw 3/8" Socket Driver Torque head screw)
		
(An Adult w/an Adult helper)	(Phillips & Straight Blade screw drivers)	(Rubber Mallet –Optional)

## *Helpful Installation Hints*

1. Depending on your experience, assembly of this Play set should take approximately 6 to 12 hours after inventory of parts. Therefore, we recommend you set aside a full day for assembly.
2. Identify all of the parts for your Playcenter. Empty each box and lay out boards so you can see each part. Your instruction book will have detailed drawings that will make it easy for you to recognize individual parts. Keep all hardware and metal parts separate from wooden pieces.
3. After everything is laid out, check carefully to ensure all parts are present. Make sure there are no broken boards.
4. Find an area to sort your hardware. It is best to open the hardware on a solid surface so that you do not lose any pieces in the grass. This will save time and familiarize you with all the different pieces in the hardware bag.
5. Important note: Wood has some natural defects such as knots, surface cracks, etc... We reject parts that are structurally defective. We use a high quality lumber in our structures; however, you should inspect each part for splinters or rough spots and sand them smooth to prevent injury.
6. After steps 1 thru 4 have been completed, read all the way through the instructions completely. Reading instructions after you have studied the parts will help you understand more clearly the installation process, and help to eliminate unnecessary mistakes.
7. Pay close attention to the diameter and length of each bolt and screw. There will be different sizes in the same bag, so they must be sorted correctly.
8. Swing hangers should be buried past the threads, so that the loop is against the swing beam. Adventure Playsets is not responsible for incorrect installations of swing hangers. Failure to properly install swing hangers may cause severe injury.
9. Never tighten hardware completely at first. It helps to have some adjustment for bolt alignment while you are attaching parts together. After everything is square, tighten each joint.
10. After the main unit is assembled it is critical that the floor is level and square. If the main frame is not level, the walls and floor will be out of square.
11. After you complete installation, make sure every bolt, screw, and nut is tight, and every board is secure. Wood will expand and contract with the seasons. Check all bolt connections and swing hangers every two weeks.
12. Place the set on level ground, not less than 6ft from any structure or obstruction such as a fence, garage, house, overhanging branches, laundry lines, or electrical wires.

**READ! VERY IMPORTANT!**

If you are missing parts or have questions regarding the installation of our quality product PLEASE call us directly at the factory (1-800-856-4445). Our trained staff will be happy to assist you.

**Customer service hours:**  
**Monday thru Friday 9am to 5pm**  
**Saturday 9am to 2pm**  
**Central Standard Time.**

E-mail: [custservice@adventureplaysets.com](mailto:custservice@adventureplaysets.com)

**ATTENTION: UK CUSTOMERS**

We thank you for purchasing our excellent quality play equipment. We are sure that you will be satisfied with your selection. However, should you experience any problems or require any advice, do not return the item to the store, please contact our European Customer Service Number below. To ensure a prompt and efficient handling of your query please have your assembly instructions ready when you call.



Tel: 08700 170580 or email us at [info@plumproducts.com](mailto:info@plumproducts.com)

***Suggested Playground Surfacing***

- ❑ Playground equipment should never be placed on hard surfaces such as concrete or asphalt.
- ❑ Shredded bark mulch, wood chips, fine sand and fine gravel, are added as shock absorbing materials after assembly. If used properly these materials can absorb some of the impact of a child’s fall.
- ❑ All surface material should extend a minimum of 6 feet in all directions around the play area.

**The following chart explains the fall height in feet from which a life threatening head injury would not be expected**

**Critical Heights in feet (m) of Tested Materials**

Material	Uncompressed Depth			Compressed Depth
	6" (152mm)	9" (228mm)	12" (304mm)	to 9" (228mm)
Wood Chips	7' (2.13m)	10' (3.05m)	11' (3.35m)	10' (3.05m)
Double-Shredded bark mulch	6' (1.83m)	10' (3.05m)	11' (3.35m)	7' (2.13m)
Engineered Wood Fibers	6' (1.83m)	7' (2.13m)	>12' (3.66m)	6' (1.83m)
Fine Sand	5' (1.52m)	5' (1.52m)	9' (2.74m)	5' (1.52m)
Coarse Sand	5' (1.52m)	5' (1.52m)	6' (1.83m)	4' (1.22m)
Fine Gravel	5' (1.52m)	7' (2.13m)	10' (3.05m)	6' (1.83m)
Medium Gravel	5' (1.52m)	5' (1.52m)	6' (1.83m)	5' (1.52m)
Shredded Tires*	10-12' (3.0-3.6m)	N/A	N/A	N/A

\*This data is from tests conducted by independent testing laboratories on a 6-inch depth of uncompressed shredded tire samples produced by four manufacturers. The tests reported critical heights, which varied from 10 feet to greater than 12 feet. It is recommended that persons seeking to install shredded tires as a protective surface request test data from the supplier showing the critical height of the material when it was tested in accordance with ASTM F1292.

## *Operating Instructions:*



**NOTE:** Your children's safety is our #1 concern. Observing the following statements and warnings reduces the likelihood of serious or fatal injury. Please review these safety rules regularly with your children.

1. This Playcenter is designed for the use of 3 occupants who have a combined weight not exceeding 280 pounds.
2. On-site adult supervision is **required**.
3. Instruct children **not** to walk close to, in front of, behind, or between moving swings or other moving playground equipment.
4. Instruct children to sit in and **never** stand on swings
5. Instruct children **not** to twist the chains and ropes and not to loop them over the top support bar, since this may reduce the strength of the chain or rope.
6. Instruct children **not** to jump from swings or other playground equipment in motion.
7. Instruct children to **not push** empty seats. The seat may hit them and cause serious injury.
8. Instruct and teach children to sit in the center of the swings with their full weight on the seats.
9. Instruct children **not** to use the equipment in a manner other than intended.
10. Instruct children to **always** go down slides feet first. Never slide headfirst.
11. Instruct children to **look** before they slide to make sure no one is at the bottom.
12. Instruct children to **never** run up a slide, as this increases their chances of falling.
13. The parents should have the children **dress appropriately** with well-fitting shoes. Loose clothing such as scarves and ponchos should not be worn. Always take off, tie up or tuck in cords and drawstrings on children's clothing. These things can get caught on playground equipment and strangle a child.
14. Instruct children **not** to climb when the equipment is wet.
15. Instruct children to **never** jump from a fort deck. They should always use the ladder, ramp or slide.
16. Instruct children to **never** crawl or walk across the top of monkey bars.
17. Instruct children to **never** crawl on top of a fort roof.
18. Verify that any suspended climbing ropes, chain, or cable are secured at both ends and that they cannot be looped back on it.
19. Instruct children **not** to attach items to the playground equipment that are not specifically designed for use with the equipment, such as, but not limited to, jump ropes, clothesline, pet leashes, cables and chain as they may cause a strangulation hazard.
20. Instruct children to **never** use Monkey Bar when swings or glider are in use.
21. Instruct children to **never** wrap their legs around swing chain.
22. Instruct children to **never** slide down the swing chain.



## ***Maintenance Instructions:***

1. Check all nuts and bolts twice monthly during the usage season and tighten as required. (But not so tight that you crack the wood) We recommend you check the swing beam and hardware every two weeks due to wood expansion and contraction. It is particularly important that this procedure be followed at the beginning of each season.
2. Remove plastic swing seats and take indoors or do not use when the temperature drops below 32 °F.
3. Oil all metallic moving parts monthly during the usage period.
4. Check all coverings for bolts and sharp edges twice monthly during usage season to be certain they are in place. Replace when necessary. It is especially important to do this at the beginning of each new season.
5. Check swing seats, ropes, cables and chains monthly during usage season for evidence of deterioration. Replacement should be made of any swing seat that has developed cracks in the plastic seats or has exposed metal in the edges of the swing seat. If there are already exposed metal inserts on the edge of the seat, immediately remove the seats and chains to prevent serious injury. Ropes, cables and chains should be removed and replaced if excessive wear is found. Contact Adventure Playsets for replacement parts.
6. For rusted areas on metallic members such as monkey bars, hand supports, brackets, etc., sand and repaint, using a non lead-based paint meeting the requirements of Title 16 CRF Part 1303.
7. Inspect wood parts monthly. The grain of the wood sometimes will lift in the dry season causing splinters to appear. Light sanding may be necessary to maintain a safe playing environment. If you are treating your Playcenter with stain regularly, it will help prevent severe checking/splitting and other weather damage.
8. We recommend treating the wood components once or twice a year depending on the type of weather you have and when sanding has been required to maintain a good surface. We treat our wood with a waterborne transparent stain.
9. Creating and maintaining the Playcenter on a level location is very important. As your children play, your Playcenter will slowly dig its way into the soil, and it is very important that it settles evenly. Make sure the play set is level and true once each year or at the beginning of each play season.

## ***Disposal Instructions:***

When the Playcenter use is no longer desired, it should be disassembled and disposed of in such a way that no unreasonable hazards will exist at the time the unit is discarded.

<b>NOMINAL MATERIAL SIZES</b>			
<b>NAMED SIZE</b>		<b>TRUE SIZE</b>	
Imperial (")	Metric (mm)	Imperial (")	Metric (mm)
1x6	2.5x15.3	3/4x5x1/2	1.9x14
5/4x4	3.2x10.2	1x3 1/2	2.5x9
5/4x6	3.2x15.3	1x5 1/2	2.5x14
2x2	5x5	1 1/2x1 1/2	3.8x3.8
2x3	5x7.6	1 1/2x2 1/2	3.8x6.4
2x4	5x10	1 1/2x3 1/2	3.8x9
2x6	5x15.3	1 1/2x5 1/2	3.8x14
4x4	10x10	3 1/2x3 1/2	9x9
Estimated Sizing Due to Molding of Wood			

## APPENDIX A

### *Information on Playground Surfacing Materials:*

The following information is from the *United States Consumer Product Safety Commission's Information Sheet for playground surfacing material*. Also see the following website for additional information: [www.cpsc.gov/cpscpub/pubs/323.html](http://www.cpsc.gov/cpscpub/pubs/323.html).

#### X3. CONSUMER INFORMATION SHEET FOR PLAYGROUND SURFACING MATERIALS<sup>11</sup>

X3.1 The U.S. Consumer Product Safety Commission (CPSC) estimates that about 100,000 playground equipment-related injuries resulting from falls to the ground surface are treated annually in U.S. hospital emergency rooms. Injuries involving this hazard pattern tend to be among the most serious of all playground injuries, and have the potential to be fatal, particularly when the injury is to the head. The surface under and around playground equipment can be a major factor in determining the injury-causing potential of a fall. It is self evident that a fall onto a shock-absorbing surface is less likely to cause a serious injury than a fall onto a hard surface. Playground equipment should never be placed on hard surfaces such as concrete or asphalt and while grass may appear to be acceptable it may quickly turn to hard packed earth in areas of high traffic. Shredded bark mulch, wood chips, fine sand or fine gravel are considered to be acceptable shock absorbing surfaces when installed and maintained at a sufficient depth under and around playground equipment.

X3.2 Table X3.1 lists the maximum height from which a child would not be expected to sustain a life-threatening head injury in a fall onto four different loose-fill surfacing materials if they are installed and maintained at depths of 6, 9, and 12 in. However, it should be recognized that all injuries due to falls cannot be prevented no matter what surfacing material is used.

X3.3 It is recommended that a shock absorbing material should extend a minimum of 6 ft in all directions from the perimeter of stationary equipment such as climbers and slides. However, because children may deliberately jump from a moving swing, the shock absorbing material should extend in the front and rear of a swing a minimum distance of 2 times the height of the pivot point measured from a point directly beneath the pivot on the supporting structure.

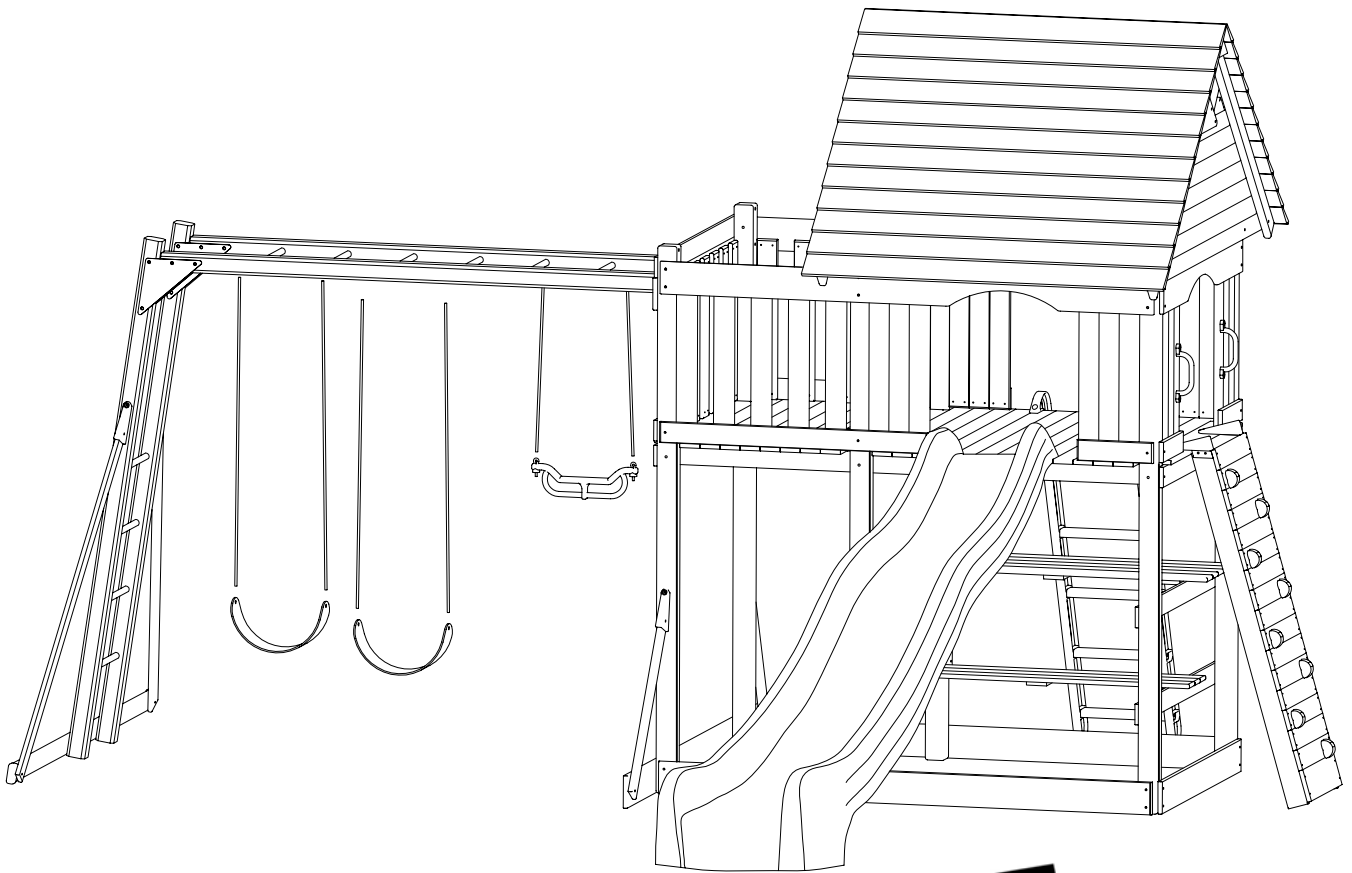
X3.4 This information is intended to assist in comparing the relative shock-absorbing properties of various materials. No particular material is recommended over another. However, each material is only effective when properly maintained. Materials should be checked periodically and replenished to maintain correct depth as determined necessary for your equipment. The choice of a material depends on the type and height of the playground equipment, the availability of the material in your area, and its cost.

<sup>11</sup>This information has been extracted from the CPSC publications "Playground Surfacing — Technical Information Guide" and "Handbook for Public Playground Safety." Copies of these reports can be obtained by sending a postcard to: Office of Public Affairs, U.S. Consumer Product Safety Commission, Washington, D.C., 20207 or call the toll-free hotline: 1-800-638-2772.

The American Society for Testing and Materials takes no position respecting the validity of any patent right asserted in connection with any item mentioned in this standard. Users of this standard are expressly advised that determination of the validity of any such patent rights, and the risk of infringement of such rights, are entirely their own responsibility.

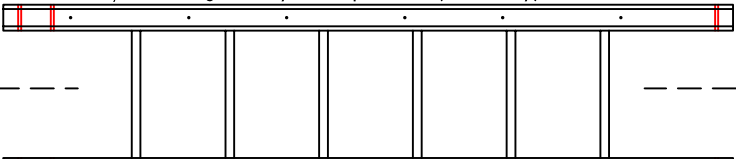
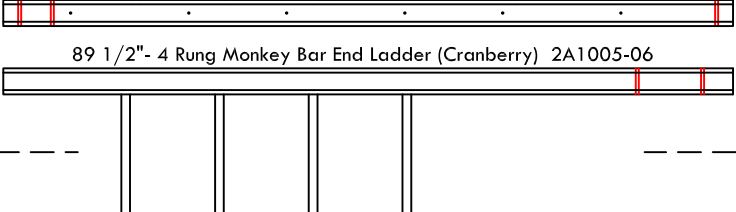
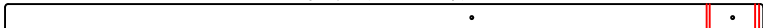

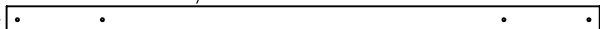




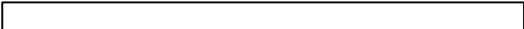







The standard is subject to revision at any time by the responsible technical committee and must be reviewed every five years and if not revised, either approved or withdrawn. Your comments are invited either for revision of this standard or for additional standards and should be addressed to ASTM Headquarters. Your comments will receive careful consideration at a meeting of the responsible technical committee, which you may attend. If you feel that your comments have not received a fair hearing you should make your views known to the ASTM Committee on Standards, 100 Barr Harbor Drive, West Conshohocken, PA 19428.

# The Ultimate Wooden Playcenter





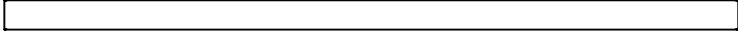
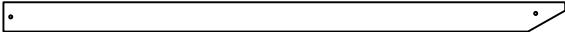

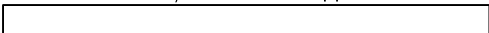
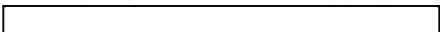
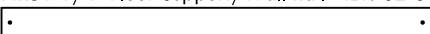
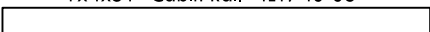
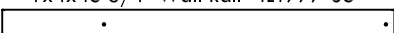
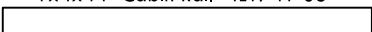
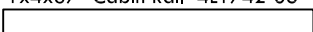
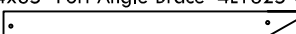
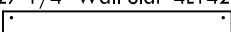
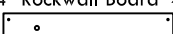
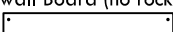
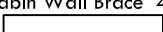
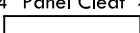
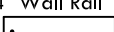
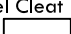
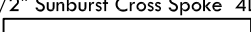
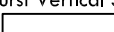
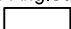
# Parts Identification

Wood Components

ID LETTER	DESCRIPTION	QUANTITY
A	89 1/2"- 6 Rung Monkey Bar Top Ladder (Cranberry) 2A1004-06 	1
B	89 1/2"- 4 Rung Monkey Bar End Ladder (Cranberry) 2A1005-06 	1
C	4x4x93" Fort Upright (Cranberry) 4LP1066-06 	6
D	2x4x89 1/2" Monkey Bar Ground Beam (Cranberry) 4LP1054-06 	1
E	2x4x72 3/4" Roof Cross Brace 4L1735-06 	2
F	2x4x55 3/8" Roof Truss 4L1736-06 	4
G	2x4x16" Ladder Rung 4L504 	5
H	5/4x6x51 1/4" Monkey Bar Rail 4L1768-06 	1
I	5/4x4x86" Floor Joist 4L1773-06 	2
J	5/4x4x64" Rockwall Rail 4L1631-06 	2
K	5/4x4x17 1/2" Rockwall Cap Board 4L1650-06 	1
L	1x6x89" Fort Ground Beam 4L1826-06 	1
M	1x6x86" Fort Ground Beam 4L1770-06 	2
N	1x6x86" Arched Wall Rail 4L1772-06 	2
O	1x6x51 1/4" Arched Wall Rail 4L1733-06 	2
P	1x6x51 1/4" Sandbox Board/Wall Rail 4L1695-06 	1
Q	1x6x45 7/8" End/Center Floor Board 4L1817-06 	3

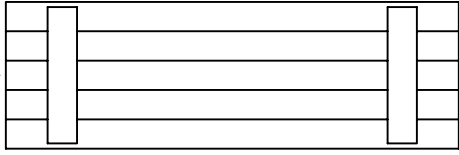
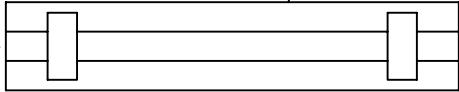

# Parts Identification

Wood Components

<u>ID LETTER</u>	<u>DESCRIPTION</u>	<u>QUANTITY</u>
R	1x6x20 1/4" Rockwall Board (no rock hole) 4L1657-06 	1
S	1x6x11" Mending Plate 4L1763-06 	2
T	1x4x87 1/2" Floor Center Brace 4L1774-06 	1
U	1x4x67" Monkey Bar Angle Brace 4L1584-06 	2
V	1x4x64 1/2" Cabin Rail 4L1738-06 	2
W	1x4x58" Cabin Rail/Middle Roof Support 4L1739-06 	2
X	1x4x52" Center Roof Brace 4L1534-05 	2
Y	1x4x51 1/4" Floor Support/Wall Rail 4L1702-06 	8
Z	1x4x51" Cabin Rail 4L1740-06 	2
AA	1x4x46 3/4" Wall Rail 4L1777-06 	2
AB	1x4x44" Cabin Rail 4L1741-06 	2
AC	1x4x37" Cabin Rail 4L1742-06 	2
AD	1x4x35" Fort Angle Brace 4L1825-06 	2
AE	1x4x27 1/4" Wall Slat 4L1424-05 	42
AF	1x4x20 1/4" Rockwall Board 4L1394-05 	8
AG	1x4x20 1/4" Rockwall Board (no rock hole) 4L1496-05 	8
AH	1x4x19" Cabin Wall Brace 4L1743-06 	2
AI	1x4x16 1/4" Panel Cleat 4L1626-06 	1
AJ	1x4x13 1/4" Wall Rail 4L1700-06 	6
AK	1x4x8" Panel Cleat 4L1653-06 	1
AL	1x3x29 1/2" Sunburst Cross Spoke 4L1762-06 	2
AM	1x3x13 1/2" Sunburst Vertical Spoke 4L1761-06 	2
AN	1x3x7 7/8" Sunburst Angled Spoke 4L1760-06 	4

# Parts Identification

Wood Components

<u>ID LETTER</u>	<u>DESCRIPTION</u>	<u>QUANTITY</u>
AO	5 Board 54" Panel Assembly 2A190-06 	4
AP	3 Board 54" Panel Assembly 2A1090-06 	3
AQ	4 Board 63" Roof Panel Assembly 2A1098-06 	6

# Parts Identification

Accessories

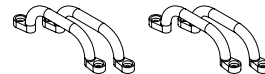
1 - 10' Green Wave Slide - 6PSW10G



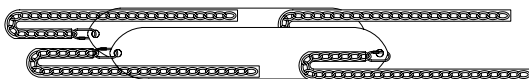
16 - Green L-Bracket - 6M021



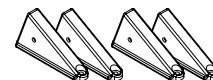
2 - Yellow Hand Grips (pair) - 6P002



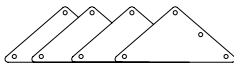
2 - Yellow Swing Seats w/chain - 2A1089-06



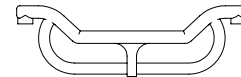
4 - Angle Brace Bracket - 6P073



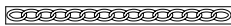
4 - Monkey Bar Plate - 6M018



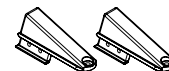
1 - Trapeze Bar - 6P053



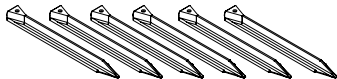
2 - 15 link Trapeze Chain - 6M016



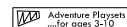
2 - Rockwall Bracket - 6P079



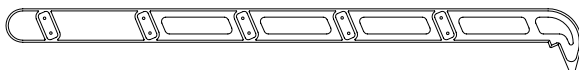
6 - Green Plastic Stakes - 6P085



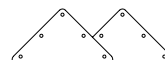
1 - Adventure Playsets Identification Sticker  
6BLAB22



2 - Deck Ladder Rail - 6P077



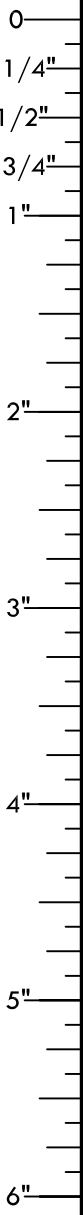
2 - 5 Hole Sunburst Plate - 4M1006



# Hardware Identification

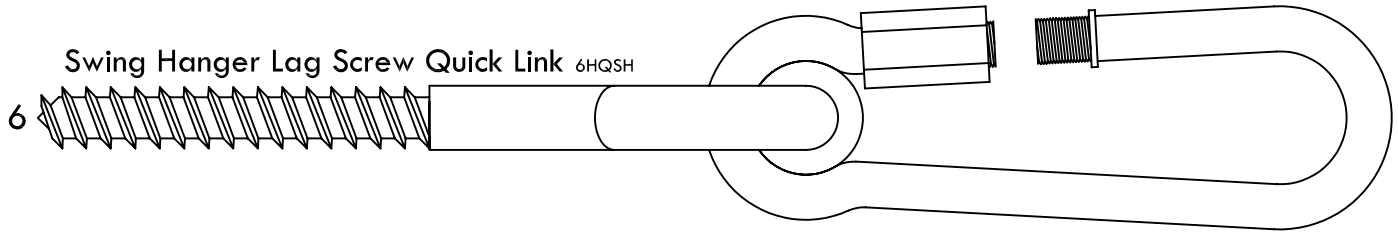
## Fort Hardware Bag - 3H1125-06

4	5/16" x 5" Hex Bolts 6HHB5	18	1/4" Flat Washers 6HFW1/4
8	5/16" x 4 3/4" Hex Bolts 6HHB43/4	14	1/4" Split Washers 6HSW
10	5/16" x 4 1/2" Hex Bolts 6HHB41/2	14	1/4" T-Nuts 6H020
10	5/16" x 3 3/4" Hex Bolts 6H041	152	Fender Washer 6HFWF8X27
4	5/16" x 3" Hex Bolts 6HHB3	48	5/16" Lock Nuts 6HLN5/16
2	5/16" x 2" Hex Bolts 6HHB2	8	5/16 x 1 1/2" Machine Truss Screw 6HPMTS11/2
2	5/16 x 2 1/2" Machine Truss Screw 6HPMTS21/2	14	1/4 x 1 1/4" Machine Truss Screw 6HPMTS11/4
34	3/4" Tapping Screws 6HPMTT3/4	247	1 1/4" Deck Screws 6HS11/4
4	1 1/2" Tapping Screws 6HPMTT11/2	20	1 1/2" Deck Screws 6HS11/2
76	2" Tapping Screws 6HPMTT2	38	1 3/4" Deck Screws 6HS13/4
4	2 1/2" Tapping Screws 6HPMTT21/2	98	2 1/4" Deck Screws 6HS21/4
	Phillips/Square Combo Bit 6H064	4	3" Deck Screws 6HS3



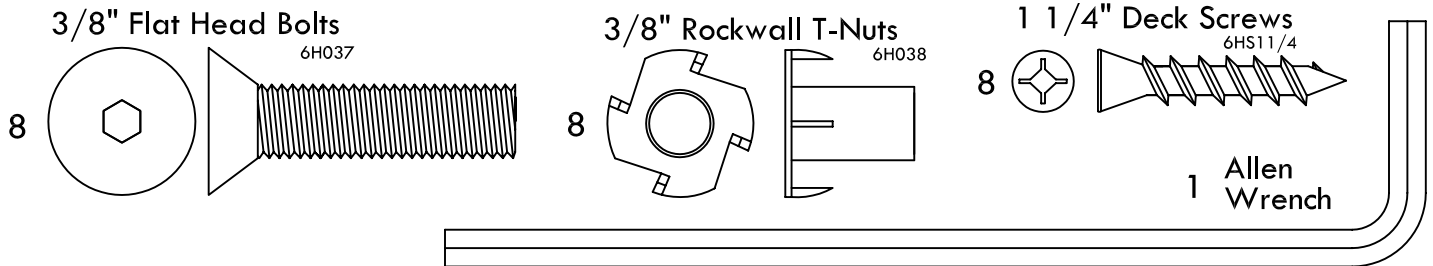
# Hardware Identification

## Fort Hardware Bag - 3H1125-06 cont.



## Rock Hardware Bag - 6P055

8 Rockwall Rocks (Not Shown)

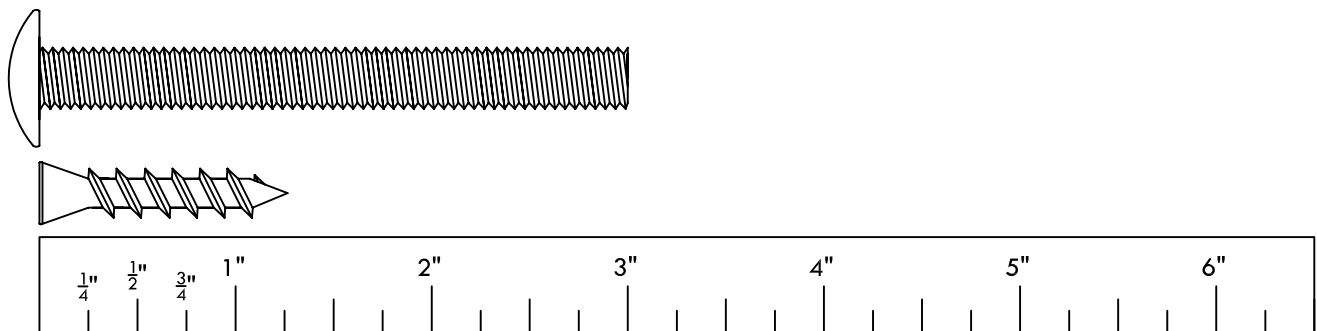


## Measuring hardware

It is very important that you get the right hardware in the correct place when assembling the unit. You can use the ruler below to measure your hardware or you can compare the hardware to the hardware identification page.

### NOTES:

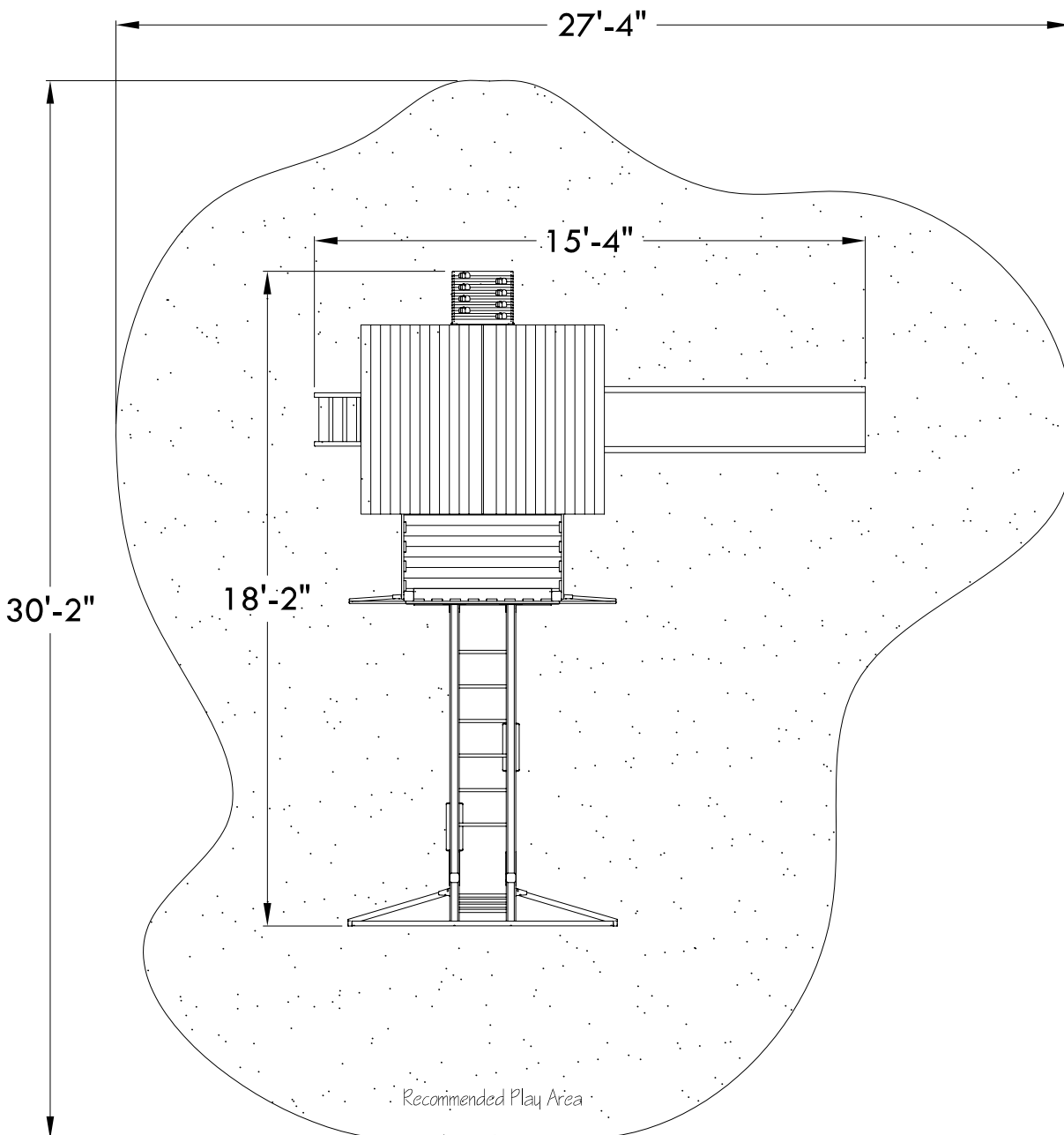
- 1) Do not include bolt head when measuring length of bolt.
- 2) Include full length of deck screw when measuring.





# Basic Setup Dimensions

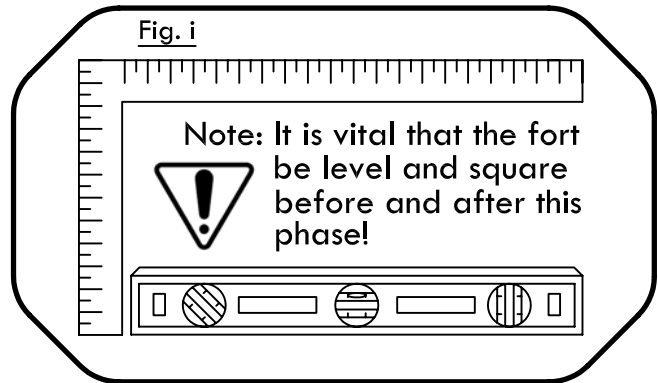
Place the set on level ground, not less than 6ft from any structure or obstruction such as a fence, garage, house, overhanging branches, laundry lines or electrical wires.



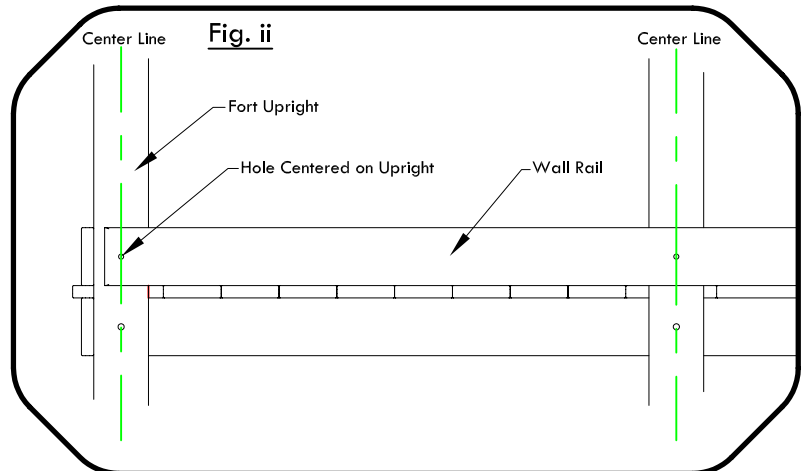
# Important Assembly Notes

Below are some important Assembly notes that will make your assembly easier.

- 1) While assembling unit, take time before and after each phase to make sure Fort is level and square, if fort is not level and square, assembly will be difficult and improper assembly may result. Extra care must be taken to assure the fort is square on the phases that include this symbol in Fig i.



- 2) When installing Rails to a place on an Upright without a pre-drilled hole, make sure hole on Rail is in the center of the Upright. (see Fig. ii)



- 3) Pay close attention to make sure you are using the correct hardware in the correct places. Using incorrect hardware may result in improper assembly.
- 4) Read the steps of each phase thoroughly. The written steps may include important information not shown in the illustrations.

# Phase I Frame Assembly

## Items Used in this Phase

- (6) Fort Uprights 'C'
- (2) Floor Joists 'I'
- (2) Fort Ground Beams 'M'
- (2) Arched Wall Rails 'N'

### Step 1: Floor Joists 'I' Attachment:

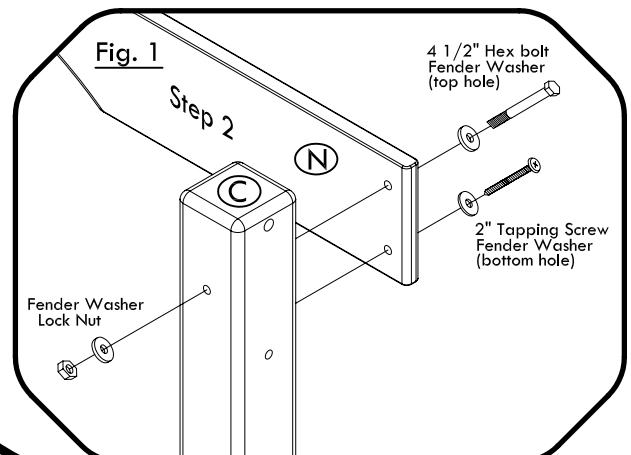
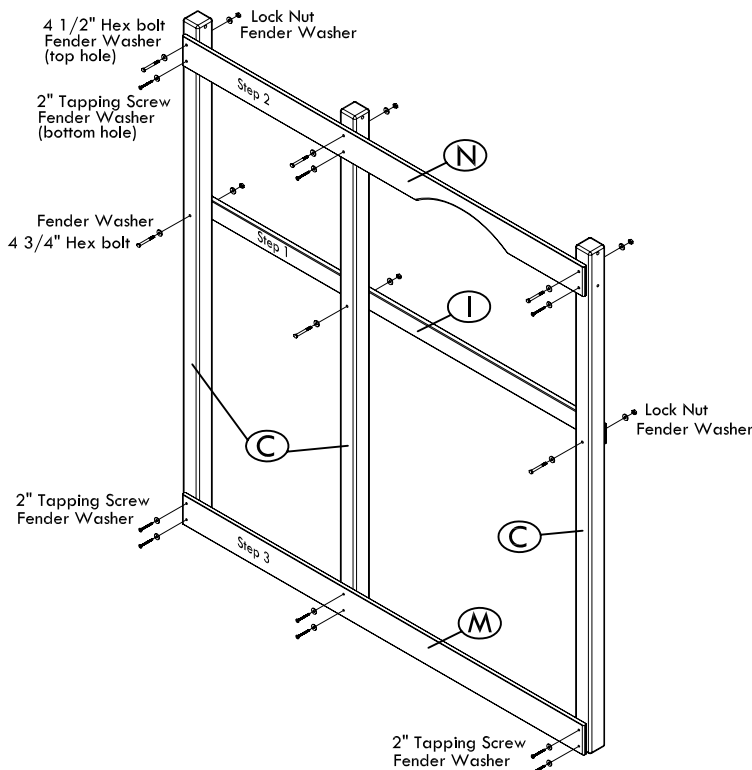
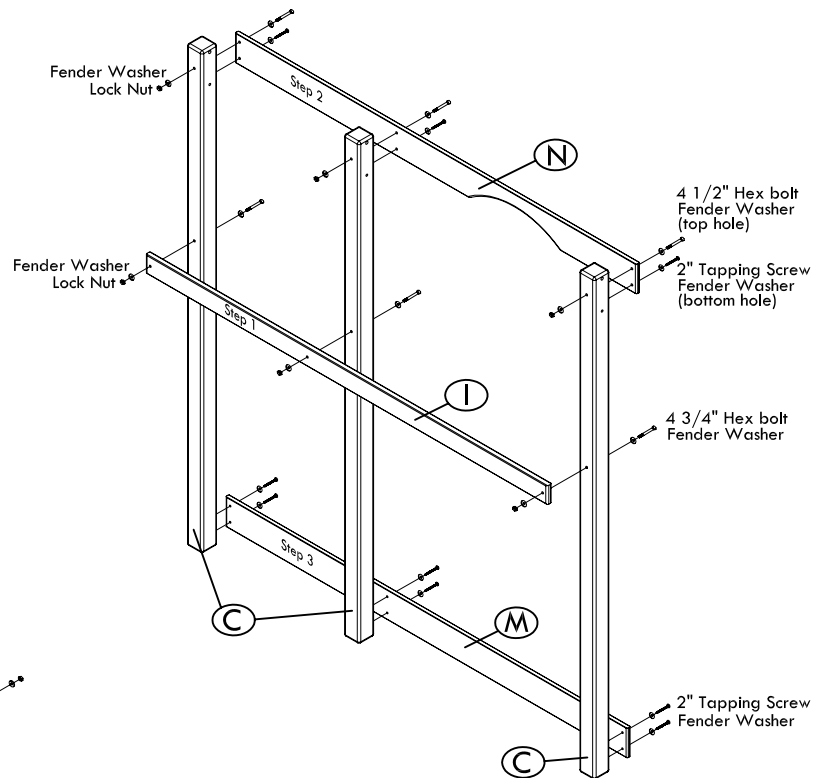
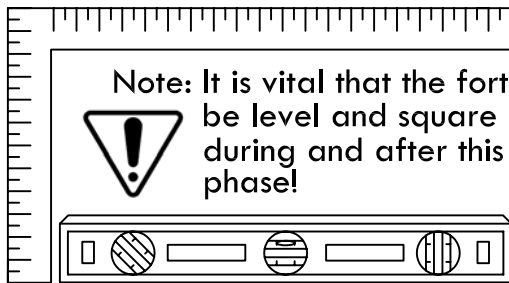
Attach Floor Joists 'I' to Uprights 'C' with 4  $\frac{3}{4}$ " hex bolts, fender washers and lock nuts as shown. Make sure the orientation of the boards are correct before proceeding to Step 2.

### Step 2: Arched Wall Rails 'N' Attachment:

- a) Place a 4  $\frac{1}{2}$ " hex bolts with fender washers through the top holes on Wall Rails 'N', then through the hole shown on Uprights 'C' and into a fender washer and lock nut on the other side.
- b) Make sure the Fort Frames are square and place a 2" tapping screw with fender washer through bottom holes on Rails 'N' and screw into Uprights 'C'. (see Fig. 1)

### Step 3: Fort Ground Beams 'M' Attachment:

Make sure Fort Frames are square and attach Ground Beams 'M' to the bottom of Uprights 'C' with 2" tapping screws and fender washers as shown.



# Phase 2 Frame Assembly

## Items Used in this Phase

- (1) Monkey Bar Rail 'H'
- (1) Fort Ground Beam 'L'
- (2) Arched Wall Rail 'O'
- (1) Sandbox Board 'P'
- (2) Floor Supports 'Y'

### Step 1: Arched Wall Rails 'O' Attachment:

- a) Place a 4  $\frac{1}{2}$ " hex bolt with fender washer through the bottom holes of Arched Wall Rail 'O', then through hole shown on Uprights 'C' and into a fender washer and lock nut on the other side.
- b) Make sure the fort is square and place a 2" tapping screw with fender washer through the top holes of Rail 'O' and screw into Uprights 'C'.

### Step 2: Monkey Bar Rail 'H' Attachment:

- a) Place a 4  $\frac{3}{4}$ " hex bolt with fender washer through the TOP holes of Monkey Bar Wall Rail 'H', then through hole shown on Upright 'C' and into a fender washer and lock nut on the other side.
- b) Make sure the fort is square and place a 2  $\frac{1}{2}$ " tapping screw with fender washer through the bottom holes on Rail 'H' and screw into Uprights 'C'.

Note: This Rail will NOT be even with the previously placed rails 'N', it will be lower. (see Fig. 2)

### Step 3: Sandbox Board 'P' Attachment:

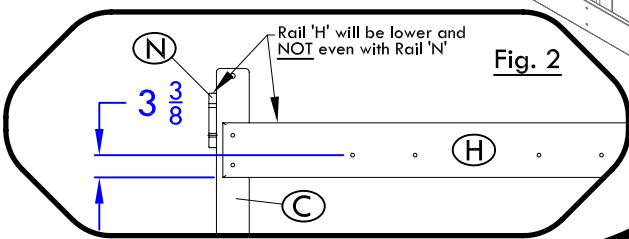
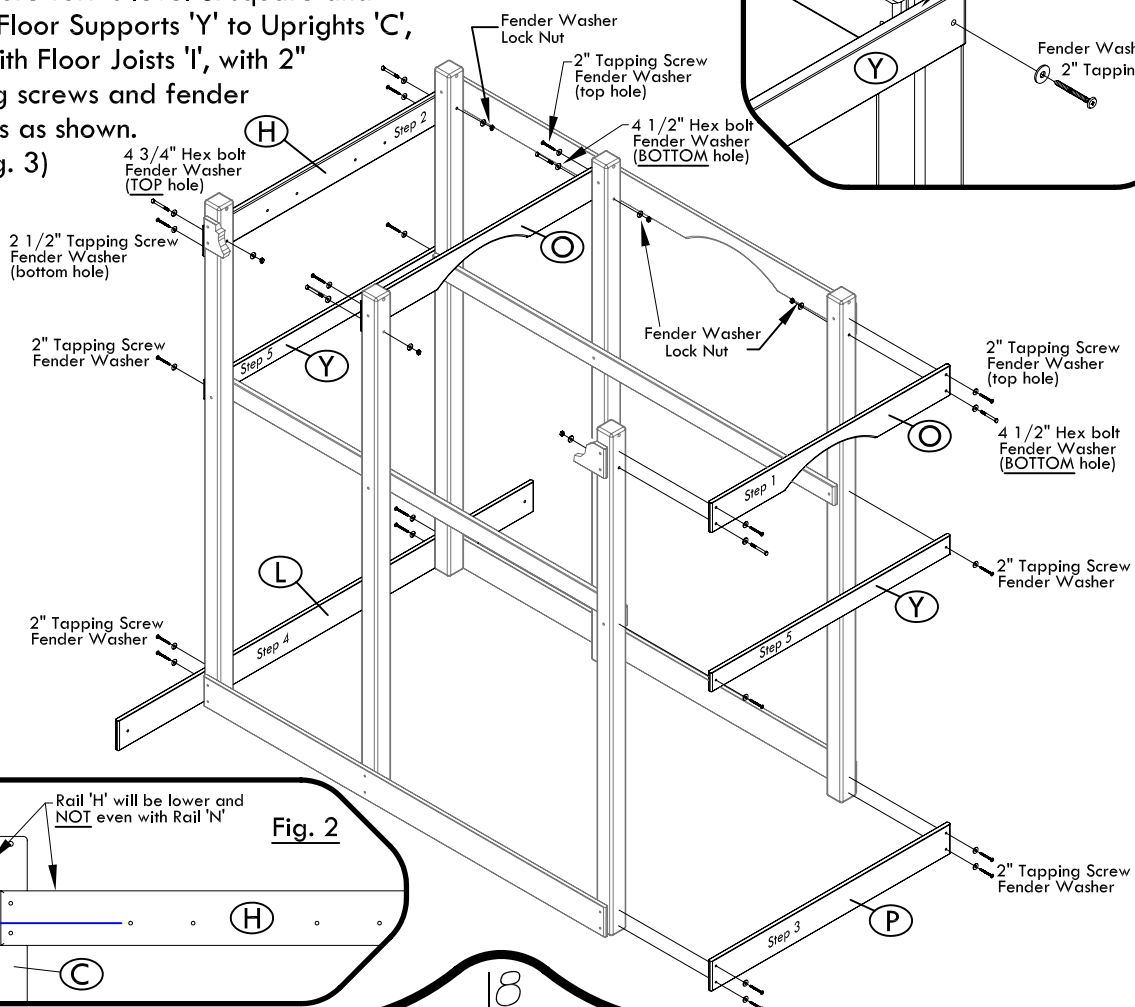
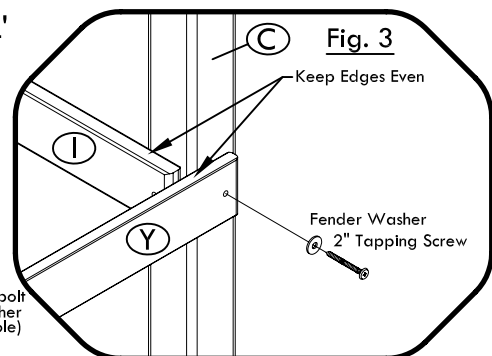
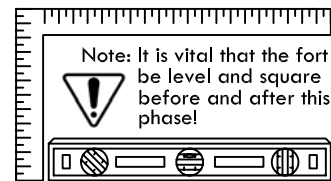
Make sure fort is level & square and attach Sandbox Board 'P' to the bottom of Uprights 'C' with 2" tapping screws with fender washers.

### Step 4: Fort Ground Beam 'L' Attachment:

Make sure fort is level & square and attach Fort Ground Beam 'L' to the bottom of Fort with 2" tapping screws with fender washers as shown.

### Step 5: Floor Supports 'Y' Attachment:

Make sure fort is level & square and attach Floor Supports 'Y' to Uprights 'C', even with Floor Joists 'I', with 2" tapping screws and fender washers as shown. (see Fig. 3)



# Phase 3 Fort Bracing

## Items Used in this Phase

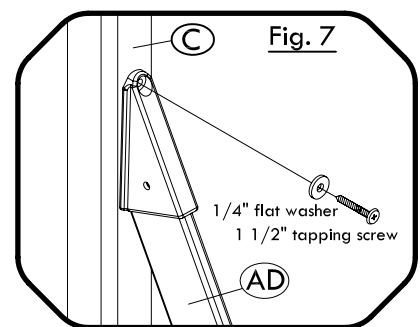
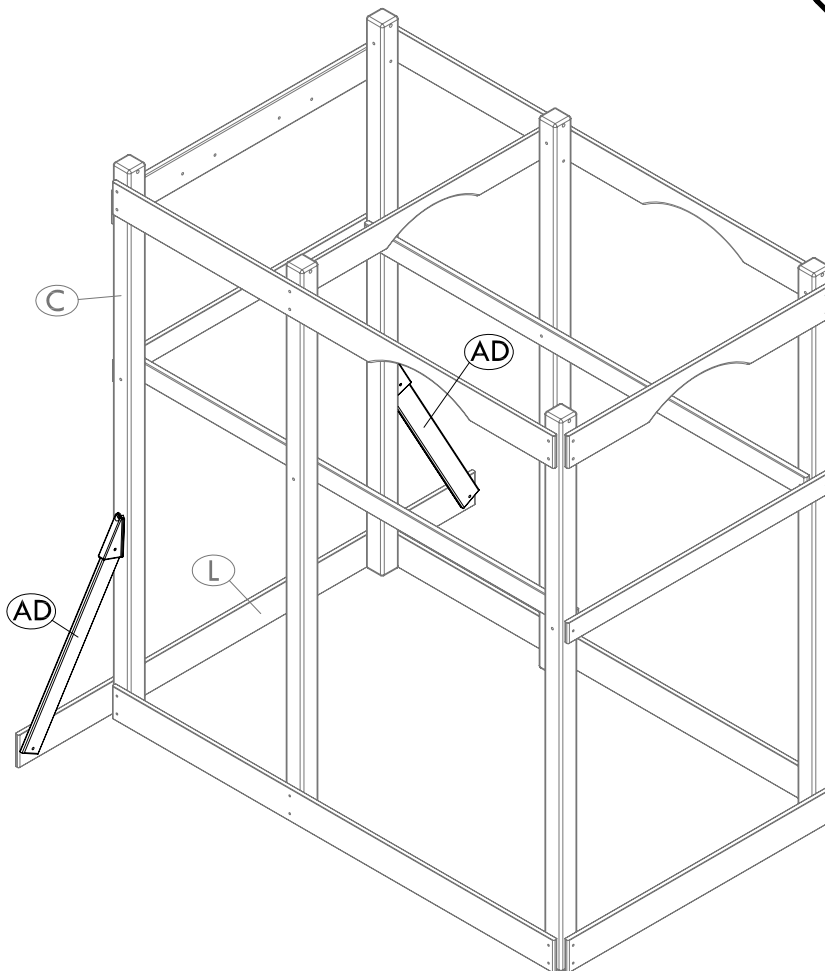
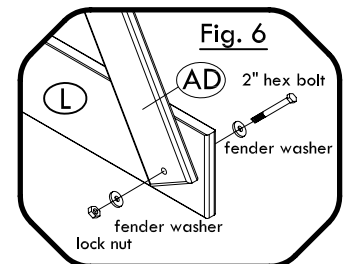
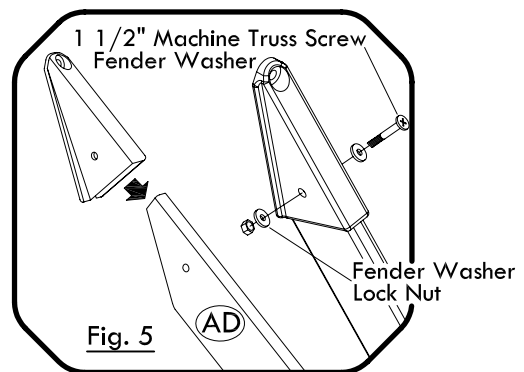
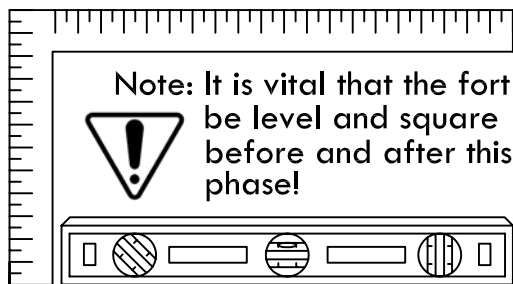
- (2) Fort Angle Braces 'AD'
- (2) Angle Brace Brackets

### Step 1: Angle Bracket Attachment:

- Place Angle Brace Brackets over angled cut end of Fort Angle Braces 'AD' and line up holes.
- Attach Angle Brace Brackets to Fort Angle Braces 'AD' with  $1\frac{1}{2}$ " machine truss screws, fender washers, and lock nuts as shown in Fig. 5.

### Step 2: Fort Angle Brace 'AD' Attachment:

- Attach the square end of Fort Angle Braces 'AD' to Fort Ground Beam 'L' with 2" hex bolts, fender washers and lock nuts as shown in Fig. 6.
- Make sure fort is level and square and attach Angle Brace Brackets to Fort Uprights 'C' with  $1\frac{1}{2}$ " tapping screws and  $\frac{1}{4}$ " flat washers as shown in Fig. 7.



# Phase 4 Floor Attachment

## Items Used in this Phase

- (3) End/Center Floor Boards 'Q'
- (1) Floor Center Brace 'T'
- (3) Panel Assembly 'AO'
- (2) Panel Assembly 'AP'
- (12) Green L-brackets

### Step 1: Floor Placement:

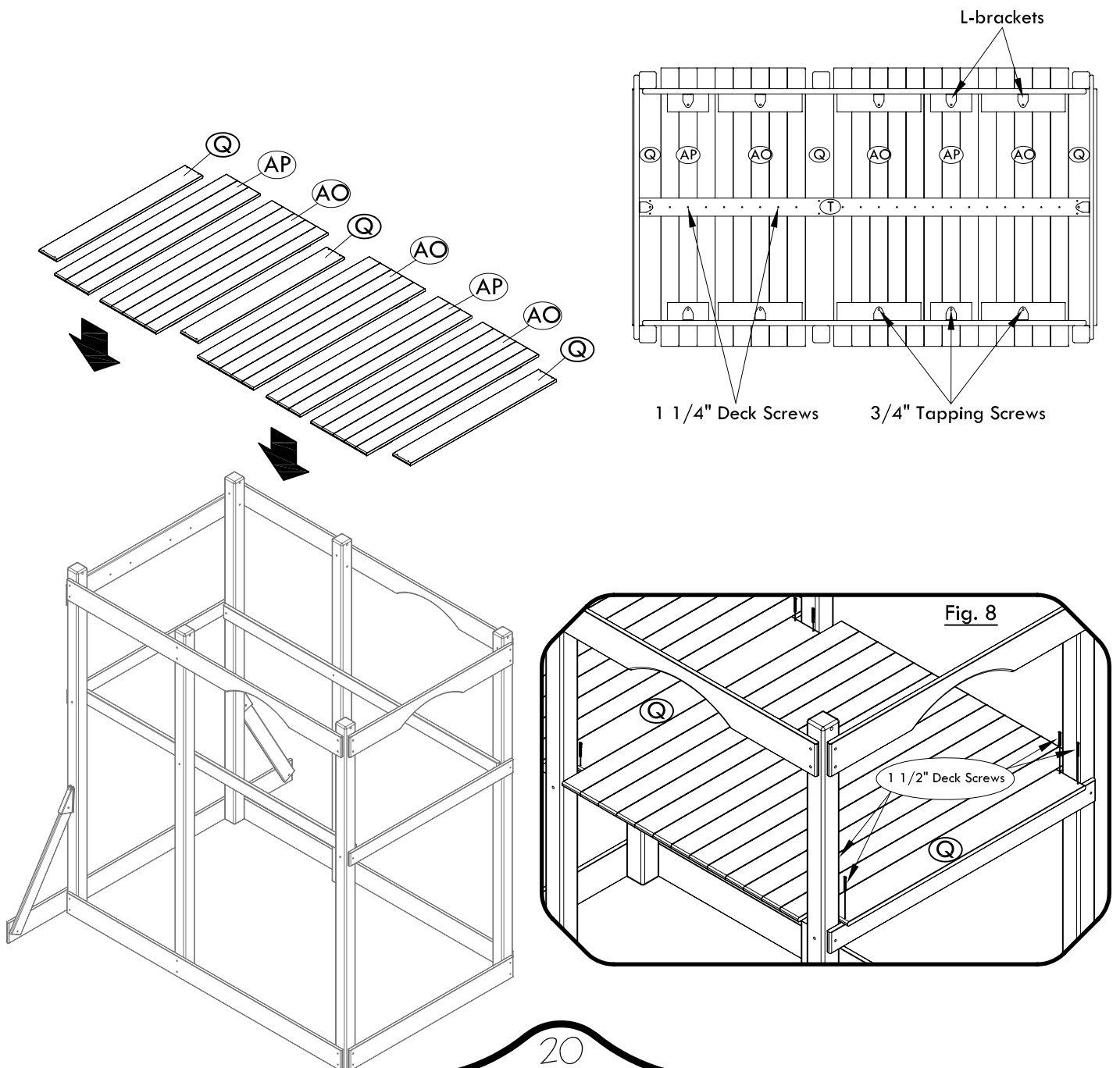
Place Floor Boards and Panels on top of Floor Joists 'I' in pattern shown. One Floor Board 'Q' will be placed between each set of Uprights and attach to Joists 'I' with (4)  $1\frac{1}{2}$ " deck screws each. (see Fig. 8)

### Step 2: Floor Panel Attachment:

From underneath the Fort, secure all the Floor Panels to the Floor Joists 'I' with L-brackets and  $\frac{3}{4}$ " tapping screws as shown. Each Panel will take (2) L-brackets and (4)  $\frac{3}{4}$ " tapping screws.

### Step 3: Floor Center Brace 'T' Attachment:

From underneath the Fort, secure Floor Center Brace 'T' to Floor Supports 'Y' with (2) L-brackets and (4)  $\frac{3}{4}$ " tapping screws, then secure Brace 'T' to floor boards with (2)  $1\frac{1}{4}$ " deck screws on Floor Boards 'Q' and (1)  $1\frac{1}{4}$ " deck screw for every other floor board.



# Phase 5 Wall Rails Attachment

## Items Used in this Phase

- (1) Wall Rail 'Y'
- (2) Wall Rails 'AA'
- (6) Wall Rails 'AJ'

### Step 1: Wall Rail 'Y' Attachment:

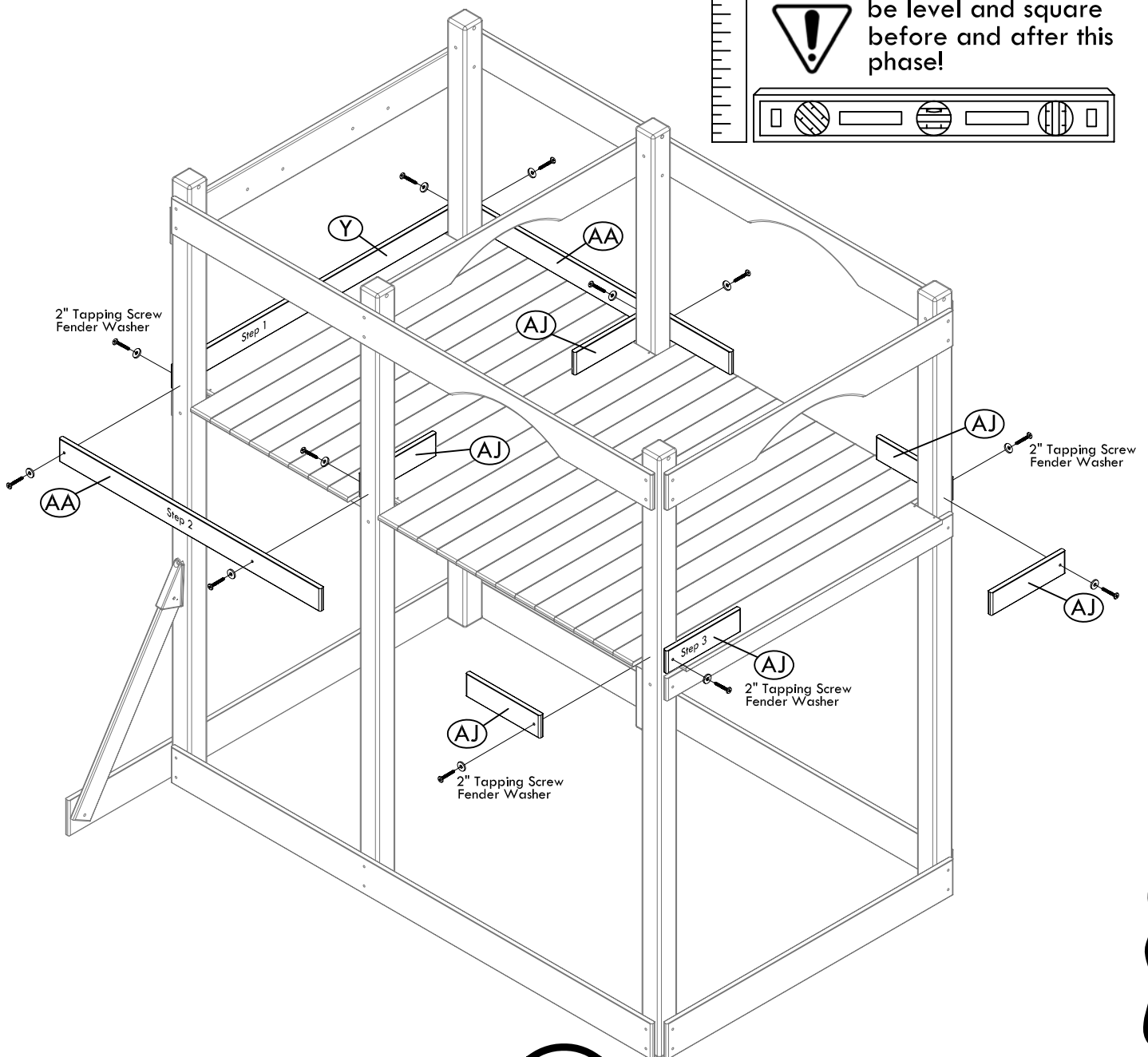
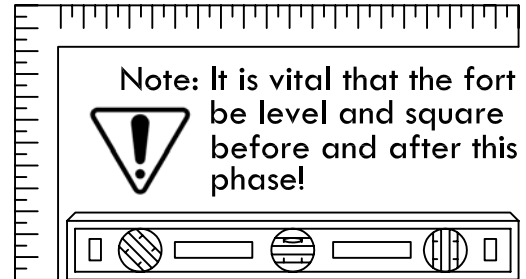
Attach Wall Rail 'Y' to Fort Uprights 'C', on top of floor on the same side as Monkey Bar Rail 'H', with (2) 2" tapping screws and fender washers as shown.

### Step 2: Wall Rails 'AA' Attachment:

Attach Wall Rails 'AA' to each side of the Fort, where shown, with (2) 2" tapping screws and fender washers each.

### Step 3: Wall Rails 'AJ' Attachment:

Attach Wall Rails 'AJ', to the sides shown on the (4) uprights shown, with (1) 2" tapping screw and fender washer each.



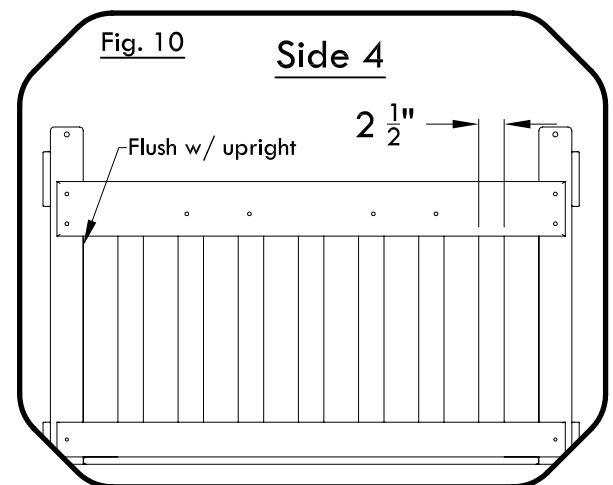
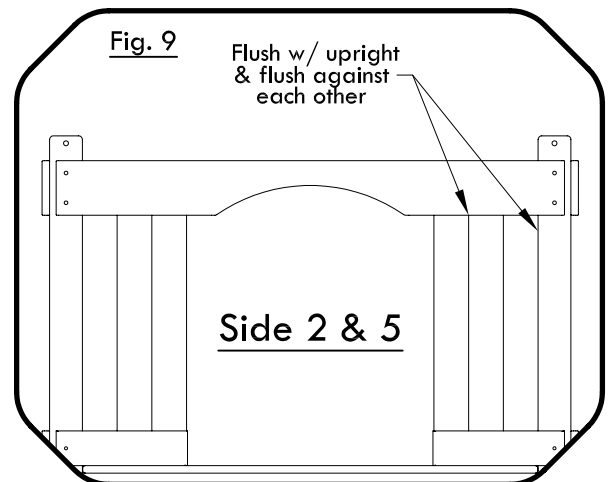
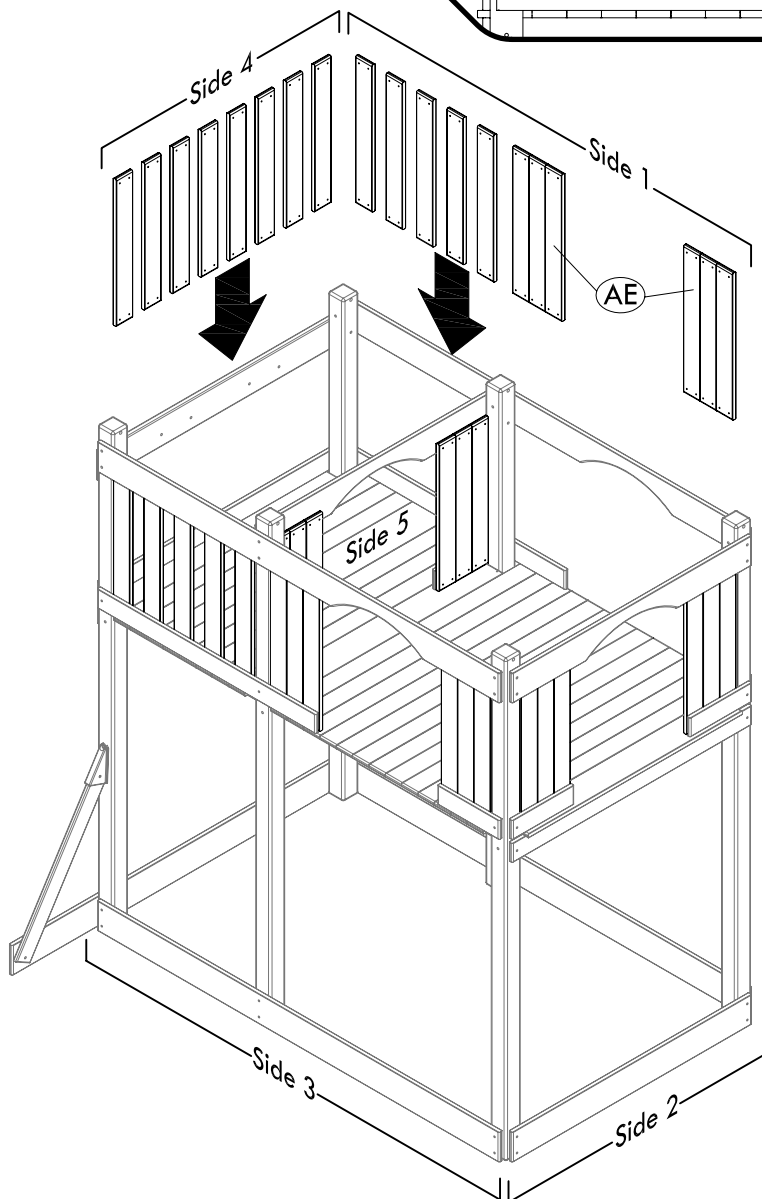
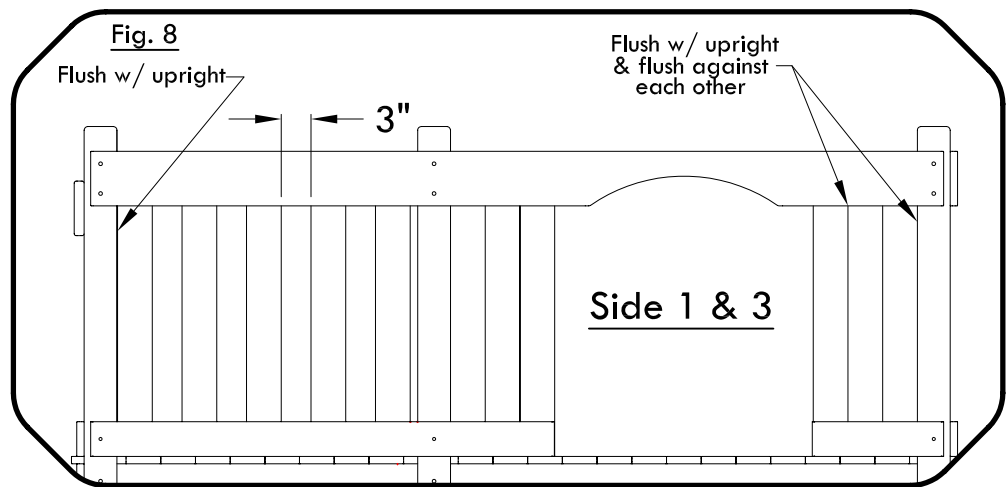
# Phase 6 Wall Slats Attachment

## Items Used in this Phase

(42) Wall Slats 'AE'

### Step 1: Wall Slats 'AE' Attachment:

Attach Wall Slats 'AE' to the Fort, resting on top of the Fort Floor, where shown with (4) 1 $\frac{1}{4}$ " deck screws each. See Fig. 8, 9 & 10 for spacing details.





# Phase 7 Hand Grip Attachment

## Items Used in this Phase

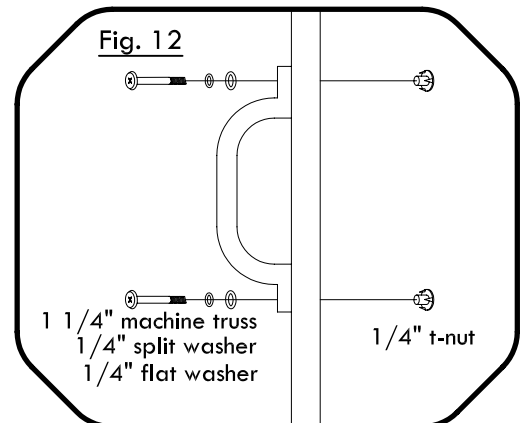
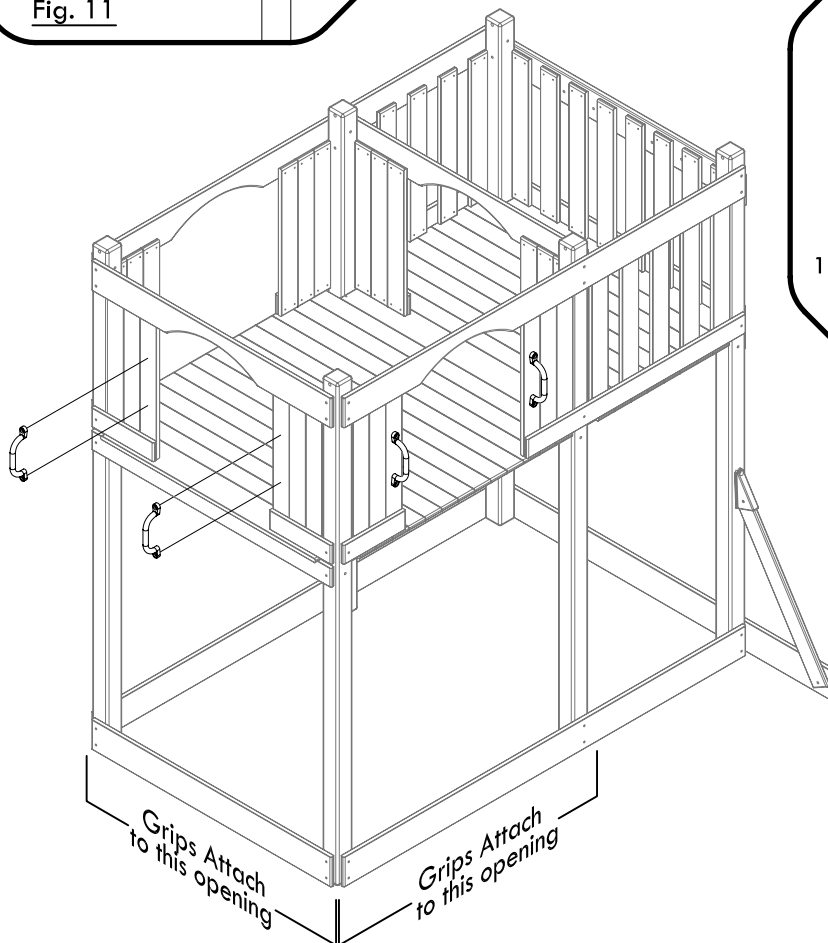
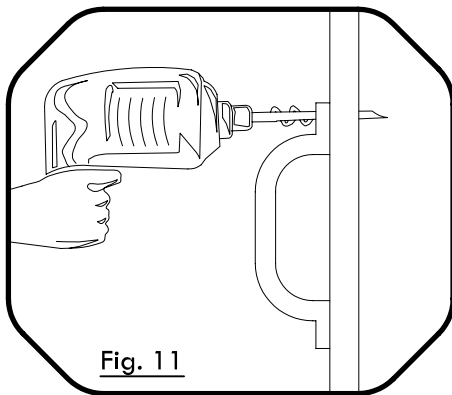
(4) Plastic Hand Grips

### Step 1: Drilling Hand Grip Attachment Holes:

The two Wall Slat on the two openings shown below will take hand grips. Center the hand grips on each Wall Slat, and by using the holes in the Grips as a guide, drill 5/16" holes through the Wall Slats. (see Fig. 11)

### Step 2: Hand Grip Attachment:

Attach the Hand Grips to the drilled Wall Slats with a 1 1/4" machine truss screw with a 1/4" split washer, and 1/4" flat washers, through the grip and slat and into a 1/4" t-nut on the back of the slat. You must hammer the t-nuts into the drilled holes before inserting the machine truss screw. (see Fig. 12)



# Phase 8 Deck Ladder Assembly & Attachment

- Items Used in this Phase**
- (5) Ladder Rungs 'G'
  - (2) Plastic Deck Ladder Rails

**Step 1: Deck Ladder Assembly:**

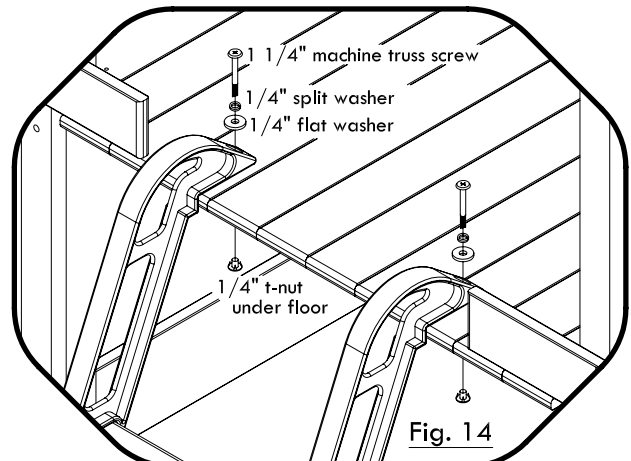
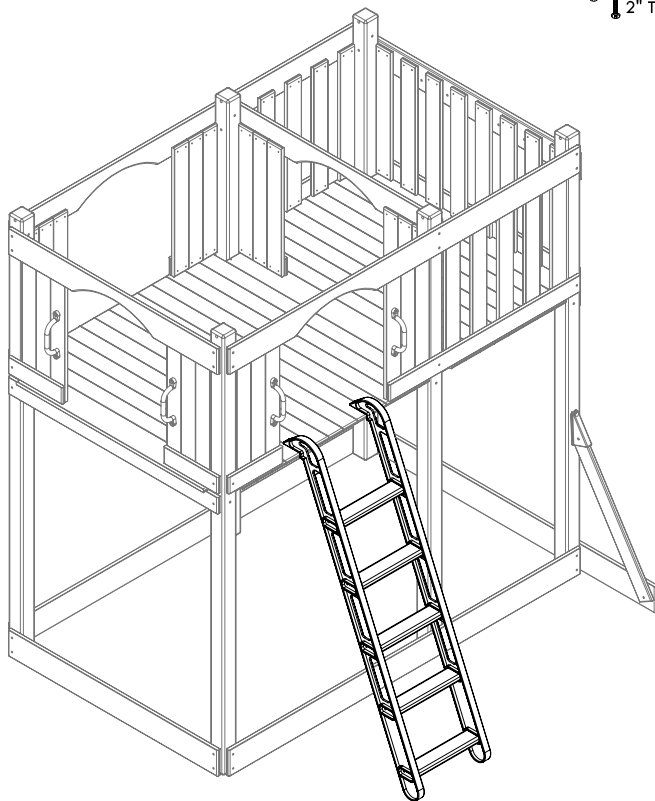
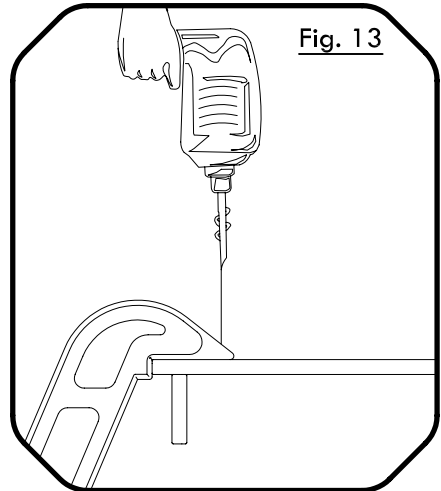
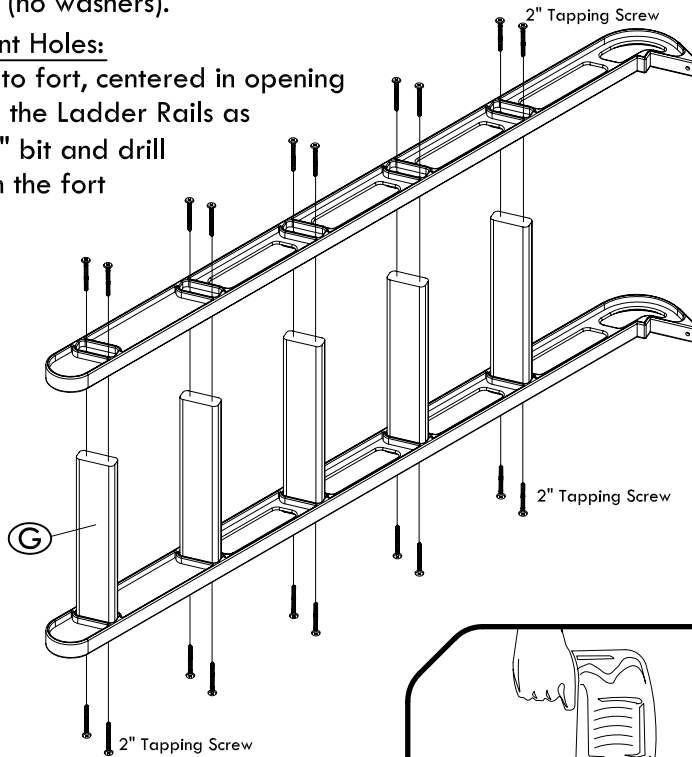
Attach (1) Deck Ladder Rail to each side of each Ladder Rung 'G' with 2" tapping screws (no washers).

**Step 2: Drilling Deck Ladder Attachment Holes:**

Place Deck Ladder Assembly onto fort, centered in opening shown, and by using the holes in the Ladder Rails as a guide, use a drill with a 5/16" bit and drill ladder attachment holes through the fort floor. (see Fig. 13)

**Step 3: Deck Ladder Attachment:**

Attach Deck Ladder to fort by placing a 1/4" t-nut into drilled hole from underneath fort, and attaching with 1 1/4" machine truss screw, 1/4" split washer and 1/4" flat washer. (see Fig. 14)



# Phase 9 Rockwall Assembly

- Items Used in this Phase**
- (2) Rockwall Rails 'J'
  - (1) Rockwall Cap Board 'K'
  - (8) Rockwall Boards 'AF'
  - (2) Rockwall Brackets

## Step 1: Rockwall Brackets Attachment:

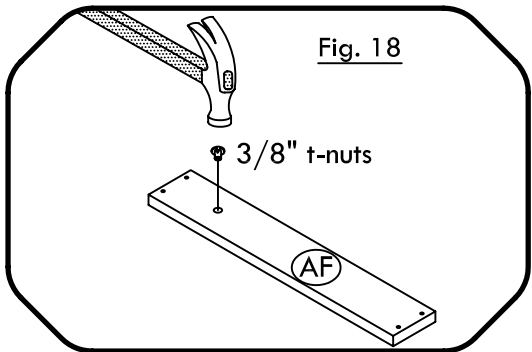
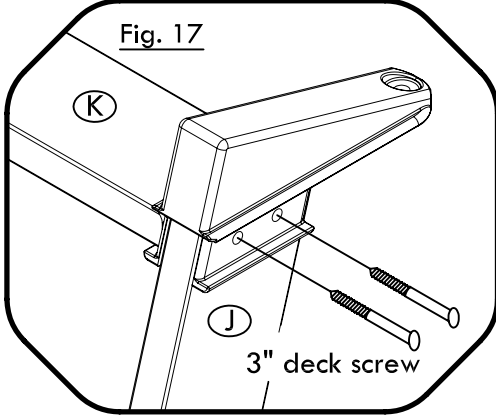
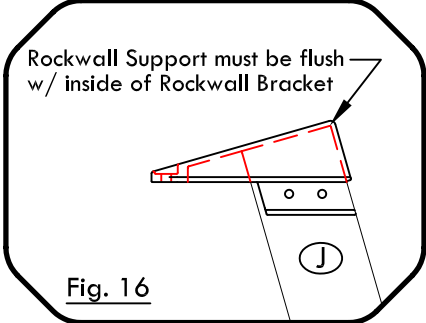
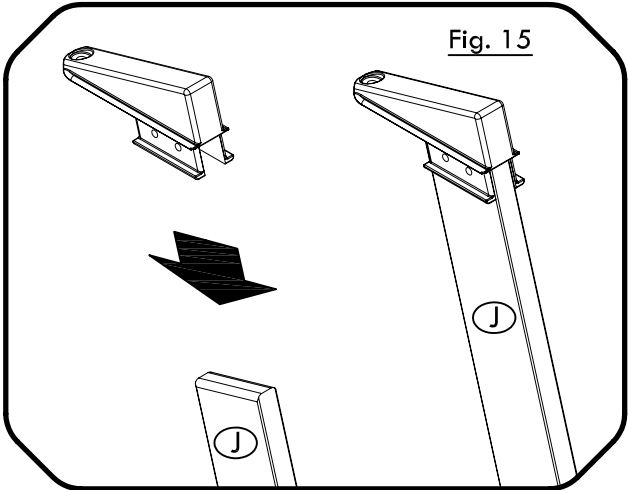
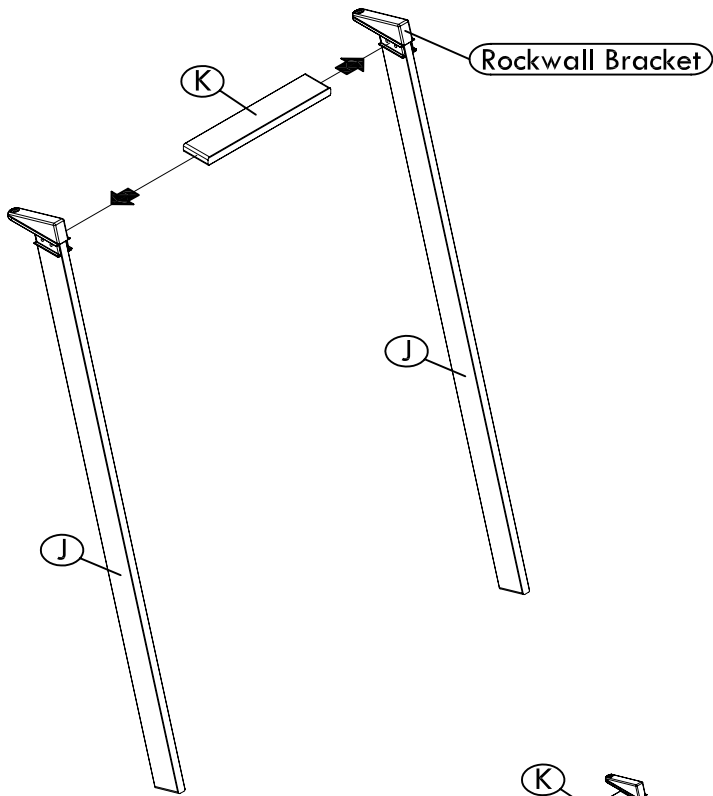
Place (1) Rockwall Bracket on the end of each Rockwall Rail 'J'. The end of the rail 'J' must be flush with the inside of the Rockwall Bracket. (see Fig. 15 & 16)

## Step 2: Rockwall Cap Board 'K' Attachment:

Attach Rockwall Brackets to Rockwall Rails 'J' and Rockwall Cap Board 'K' by running 3" deck screws through Brackets and Rails 'J' and into Cap Board 'K'. (see Fig. 17) Keep Bracket flush with the end of Rail 'J' while attaching. (see Fig. 16)

## Step 3: Rockwall T-nut Attachment:

Hammer rockwall t-nuts into the back of each Rockwall Board 'AF' as shown in Fig. 18.



# Phase 10 Rockwall Assembly

## Items Used in this Phase

- (1) Rockwall Board 'R'
- (8) Rockwall Boards 'AF'
- (8) Rockwall Boards 'AG'
- (8) Climbing Rocks

### Step 1: Top Rockwall Board 'AG' Attachment:

Attach (1) Rockwall Board (no rock hole) 'AG' to Rockwall Rails 'J', flush with the top of the Cap Board 'K' and "Lip" on rockwall bracket, with (4) 2 $\frac{1}{4}$ " deck screws through pre-drilled holes.

### Step 2: Rockwall Boards Attachment:

Attach remaining Rockwall Boards 'AF' & 'AG' to the Rockwall Rails 'J', one flush against the other, placed so that the 'AF' boards alternate with the 'AG' boards and the rock holes alternate sides and DO NOT form a straight line. The boards will attach with (4) 2 $\frac{1}{4}$ " deck screws.

### Step 3: Rockwall Board 'R' Attachment:

Attach Rockwall Board 'R' to the bottom of Rockwall Rails 'J', flush against the last rockwall board, with (4) 2 $\frac{1}{4}$ " deck screws.

### Step 4: Rock Attachment:

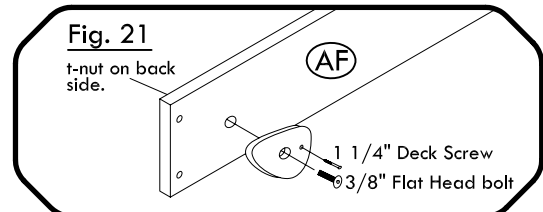
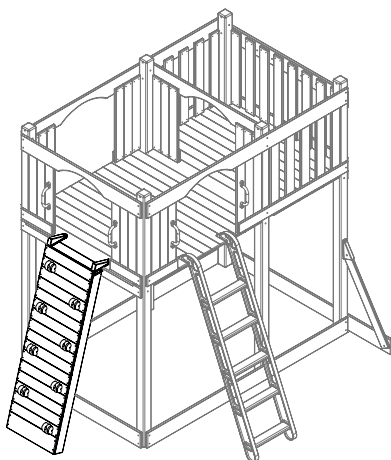
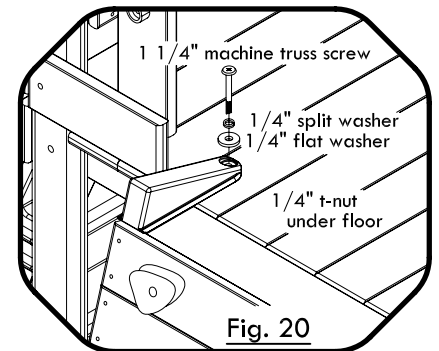
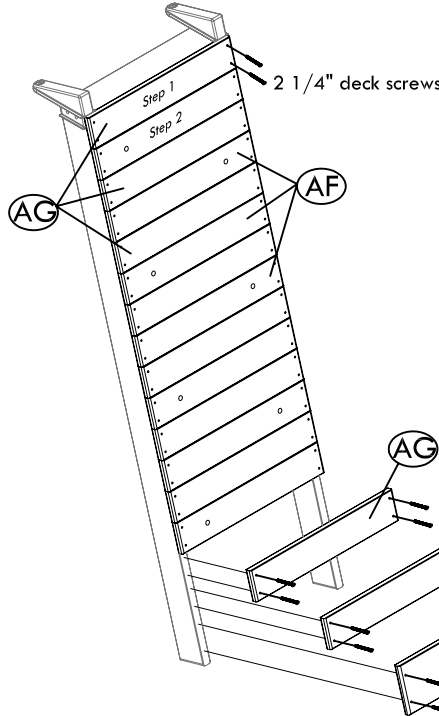
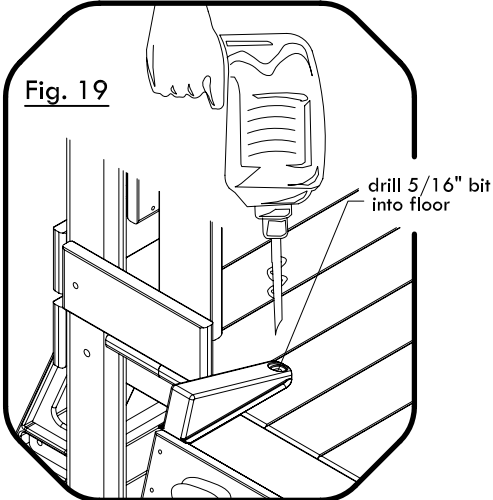
Using the  $\frac{3}{8}$ " flathead bolts and 1 $\frac{1}{4}$ " deck screws, attach Climbing Rocks to Rockwall Boards as shown. (see Fig. 21)

### Step 5: Drilling Rockwall Attachment holes:

Place Rockwall Assembly centered in opening shown, and by using the Brackets as a guide, drill  $\frac{5}{16}$ " attachment holes through the fort floor. (see Fig. 19)

### Step 6: Rockwall Attachment:

Attach Rockwall Assembly to Fort by placing a  $\frac{1}{4}$ " t-nut into drilled hole from underneath fort and attaching with 1 $\frac{1}{4}$ " machine truss screw,  $\frac{1}{4}$ " split washer and  $\frac{1}{4}$ " flat washer. (see Fig. 20)



# Phase II Rail Attachment

## Items Used in this Phase

(2) Roof Cross Braces 'E'

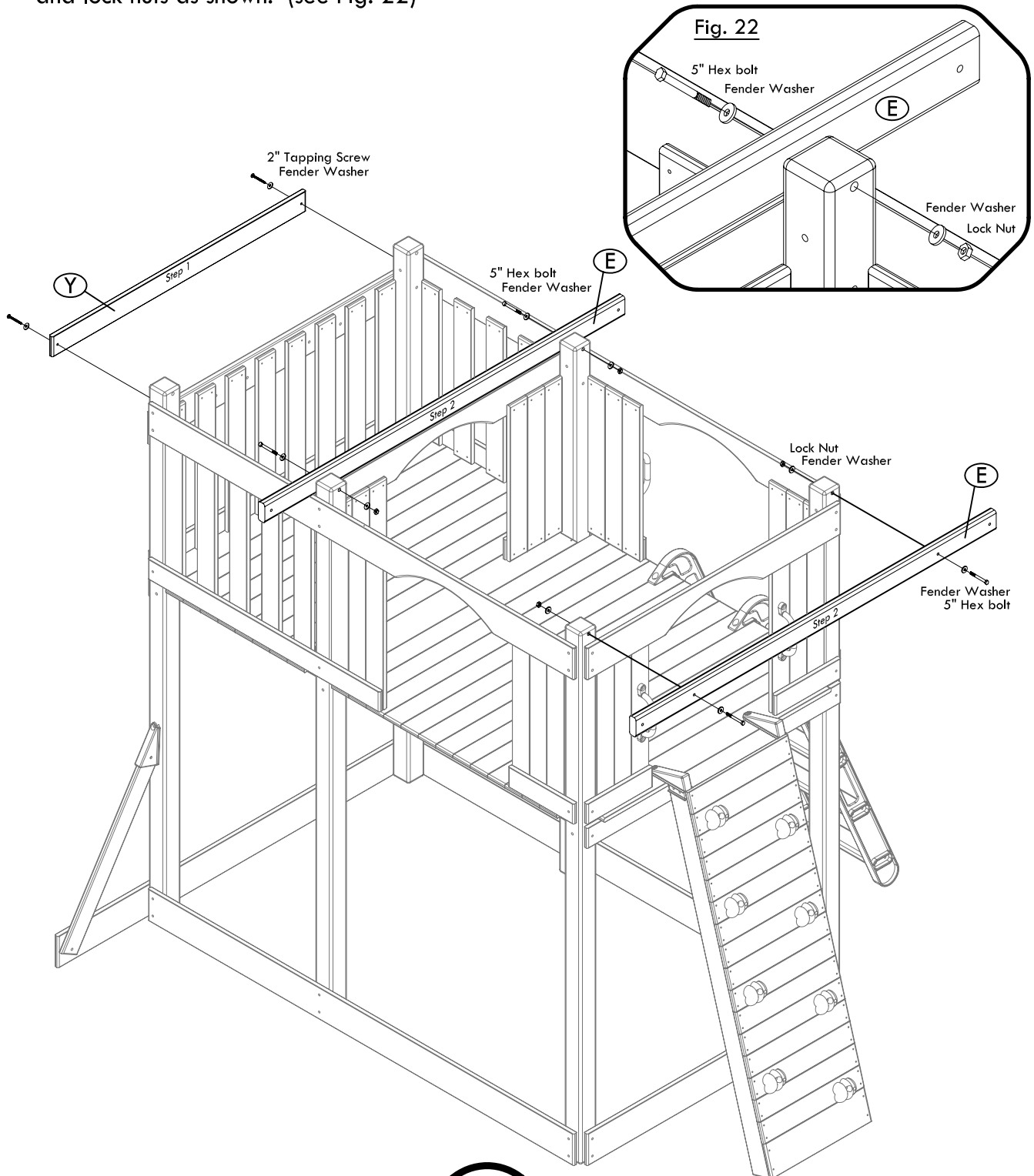
(1) Wall Rail 'Y'

### Step 1: Wall Rail 'Y' Attachment:

Attach Wall Rail 'Y' to the back of the fort, flush with the top of Monkey Bar Rail 'H', with 2" tapping screws and fender washers as shown.

### Step 2: Roof Cross Braces 'E' Attachment:

Attach Roof Cross Braces 'E' to the top of Uprights 'C' shown with 5" hex bolts, fender washers and lock nuts as shown. (see Fig. 22)



# Phase 12 Roof Half Assembly

## Items Used in this Phase

- (4) Roof Trusses 'F'
- (2) Center Roof Braces 'X'
- (6) Roof Panels 'AQ'

### Step 1: Top Roof Panel Attachment:

Place Roof Trusses 'F' on a level surface, on their edges,  $56\frac{3}{8}$ " apart (inside dimension), and attach Roof Panel 'AQ', flush with the edge of the Angled cut ends, with (4)  $2\frac{1}{4}$ " deck screws as shown.

### Step 2: Remaining Roof Panel Attachment:

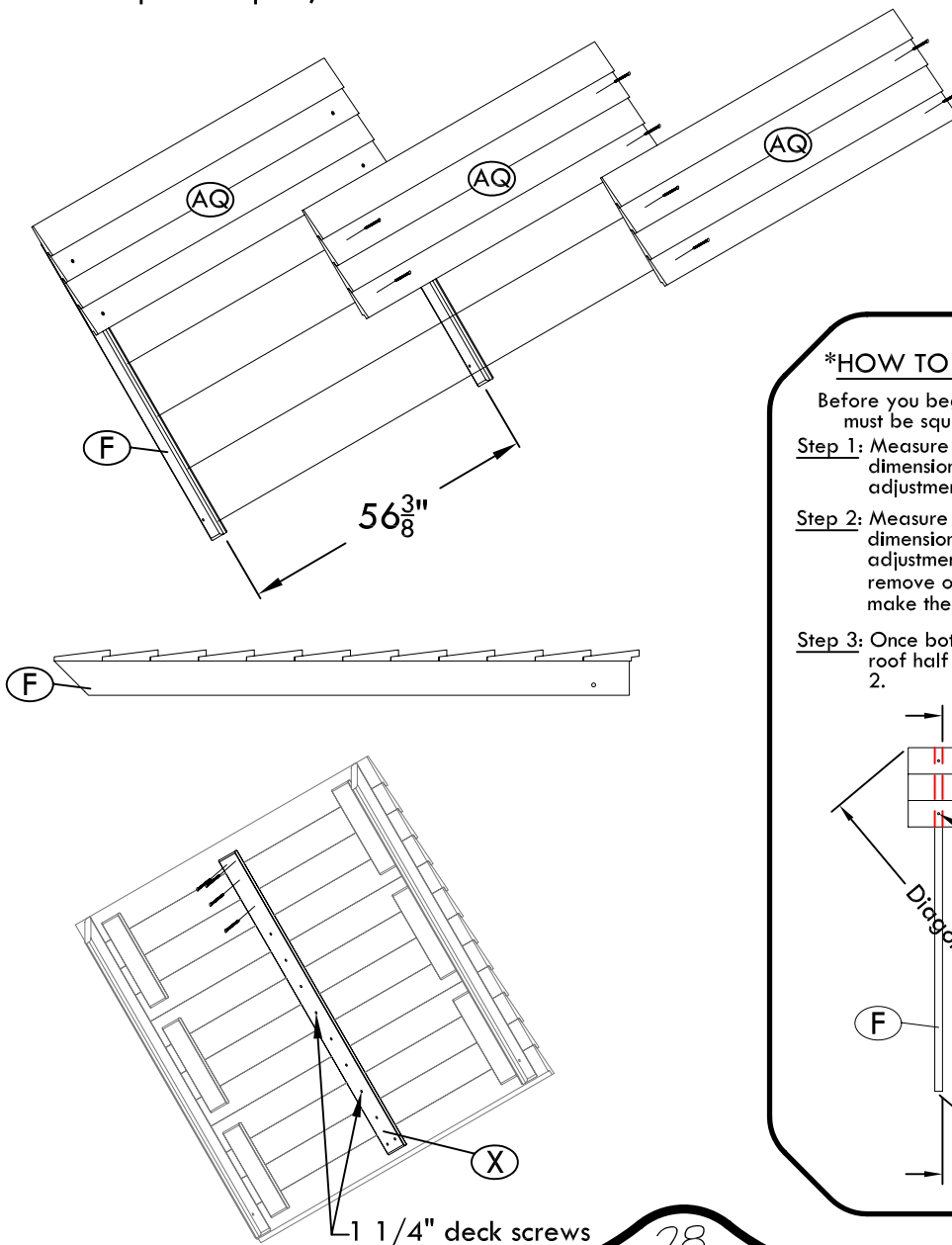
Make sure the Roof Trusses 'F' and the Panel 'AQ' are square\* and attach the remaining Roof Panel Assemblies to the Roof Trusses, each one flush against the next, with (4)  $2\frac{1}{4}$ " deck screws each.

### Step 3: Center Roof Brace 'X' Attachment:

Attach Center Roof Brace to the center of roof Panels on the underside of the Roof Half Assembly. You will use (2)  $1\frac{1}{4}$ " deck screws on the ends of Roof Brace and (1)  $1\frac{1}{4}$ " for every other roof panel board as shown.

### Step 4: Second Roof Half Assembly:

Repeat Steps 1, 2 and 3 to assemble the second roof half.



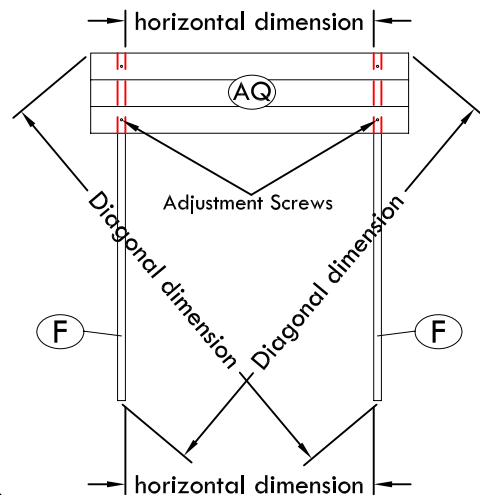
### \*HOW TO SQUARE YOUR ROOF HALF

Before you begin Step 2 of this phase, the roof half must be square. Heres how to make sure it is.

**Step 1:** Measure the horizontal dimensions shown. These dimensions must match. If they do not, make adjustments until they do.

**Step 2:** Measure the diagonal dimensions shown. These dimensions must match. If they do not, make adjustments until they do. (you may need to remove or loosen the (2) screws shown below to make the needed adjustments.)

**Step 3:** Once both directional dimensions match up, your roof half is square, and you can proceed to Step 2.



# Phase 13 Roof Half Attachment

## Items Used in this Phase

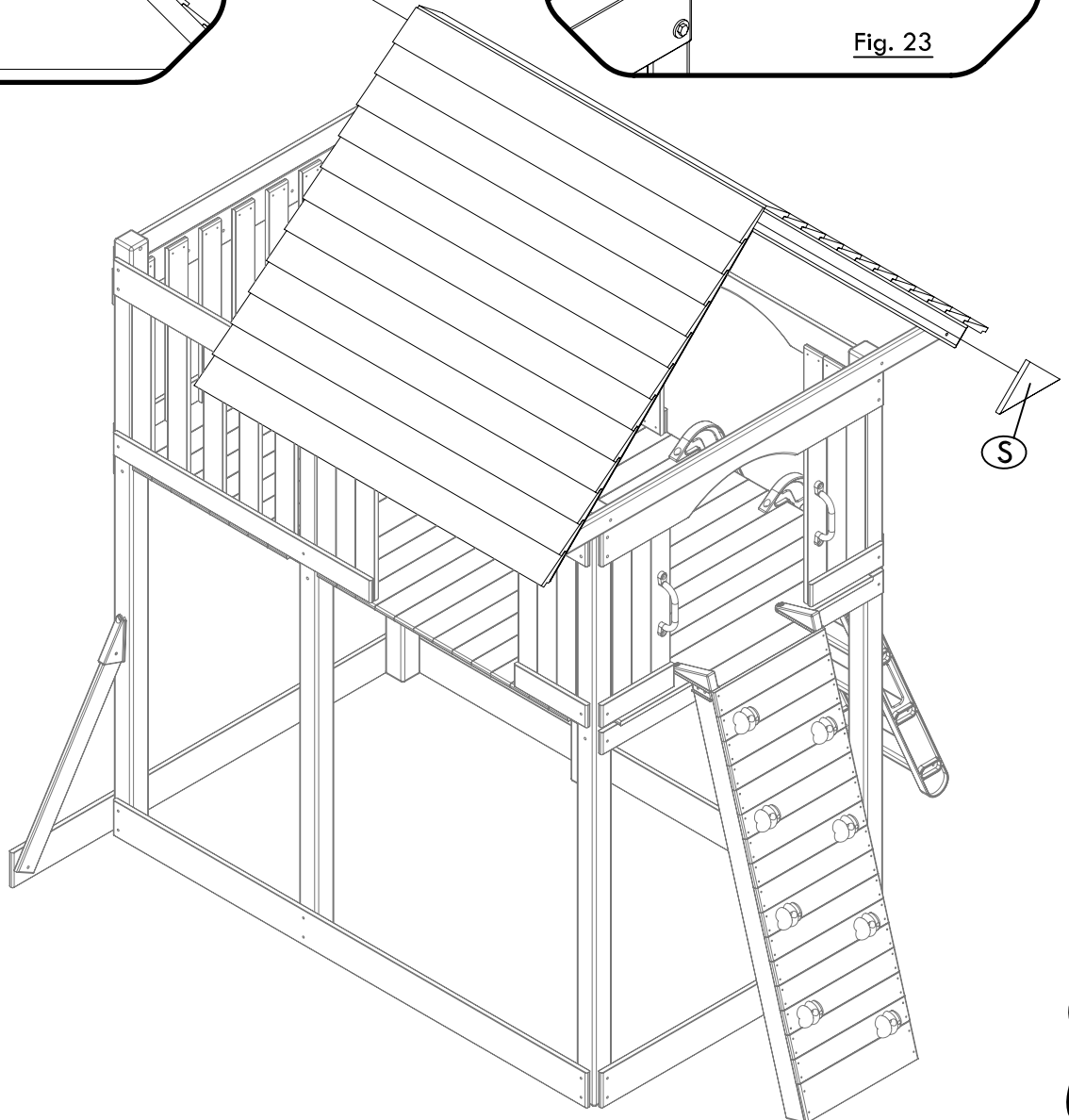
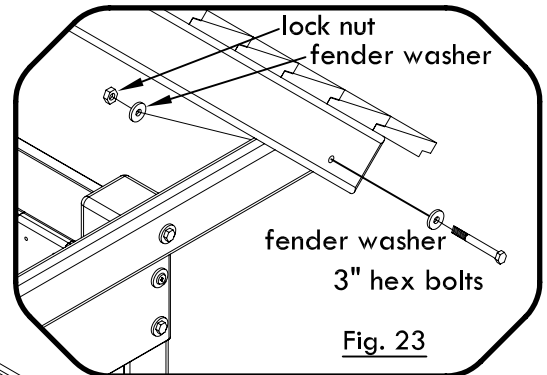
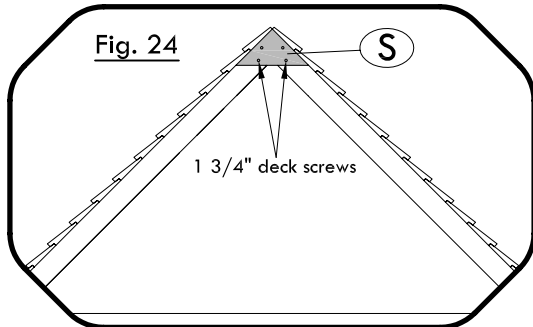
- (2) Phase 12 Roof Halves
- (2) Mending Plates 'S'

### Step 1: Roof Half Attachment:

Take one Roof Half, and by using 3" hex bolts, fender washers and lock nuts, attach the Roof Trusses 'F' to the Roof Cross Braces 'E' as shown. Repeat this step of the other Roof Half. (see Fig. 23)

### Step 2: Mending Plates 'S' Attachment:

Pivot both Roof Halves to center and fasten Mending Plates 'S' to Roof Trusses 'F' with (4) 1 3/4" deck screws each. (see Fig. 24)



# Phase 14 Cabin Wall Assembly

## Items Used in this Phase

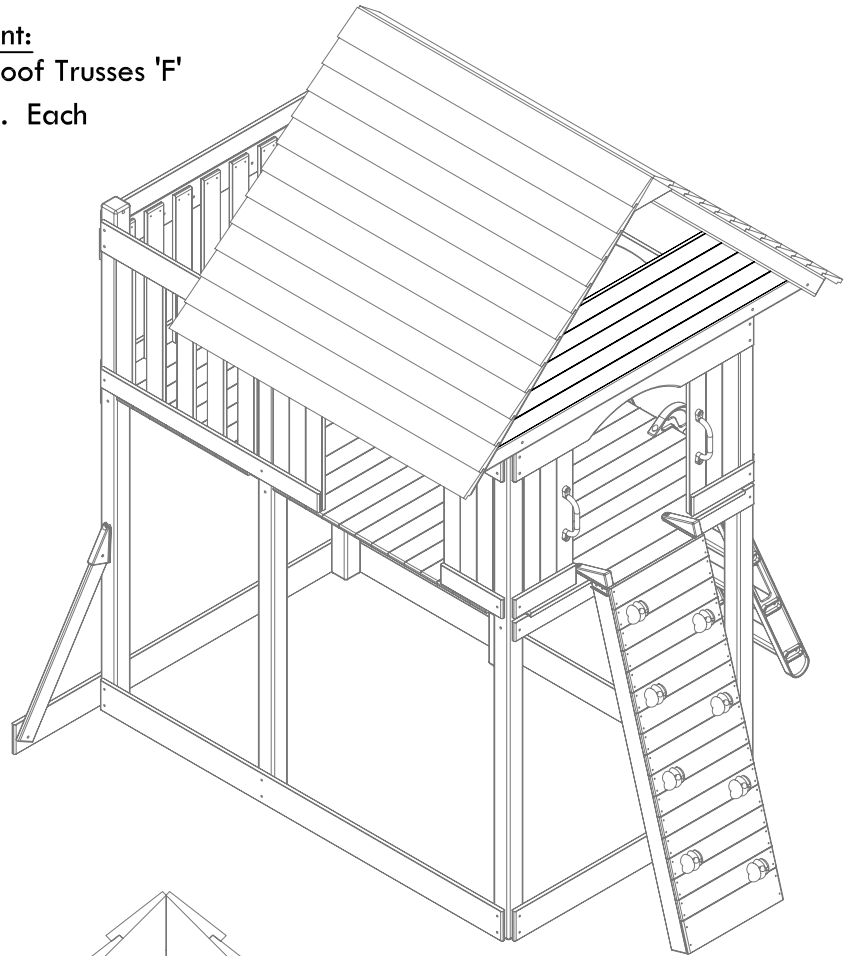
- (2) Cabin Rails 'V'
- (2) Cabin Rails 'W'
- (2) Cabin Rails 'Z'
- (2) Cabin Rails 'AB'
- (2) Cabin Rails 'AC'

### Step 1: Cabin Rails 'V' Attachment:

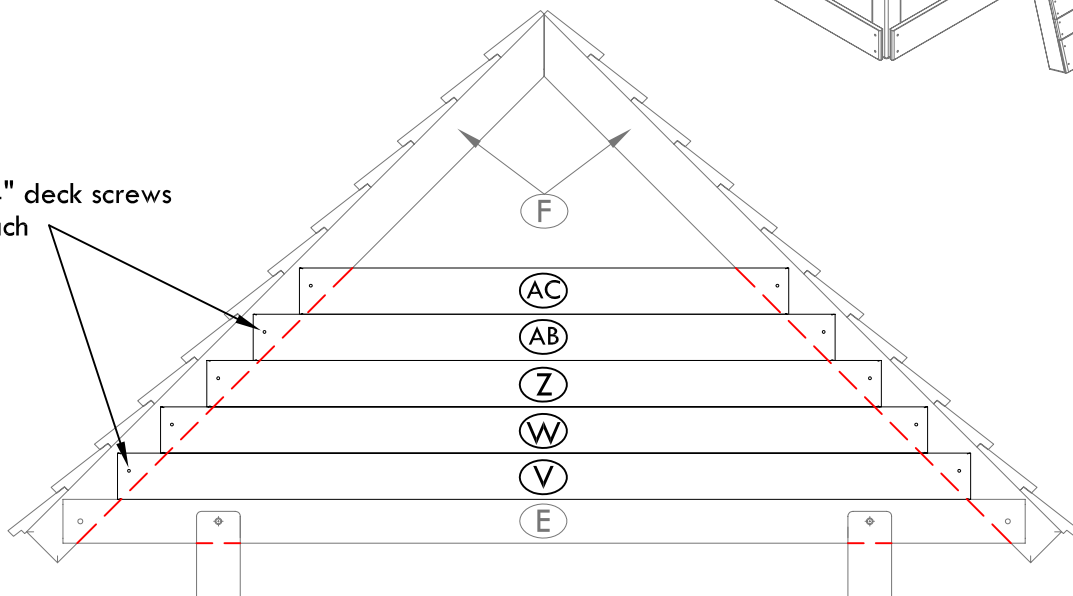
Place Cabin Rail 'V' flush on top of each Roof Cross Brace 'E' and attach to Roof Trusses 'F' with (2) 1 $\frac{3}{4}$ " deck screws each as shown.

### Step 2: Remaining Cabin Rails Attachment:

Attach remaining Cabin Rails to Roof Trusses 'F' with (2) 1 $\frac{3}{4}$ " deck screws as shown. Each rail will sit flush on top of the rail attached before it.



1 3/4" deck screws  
(2) each





# Phase 15 Sunburst Attachment

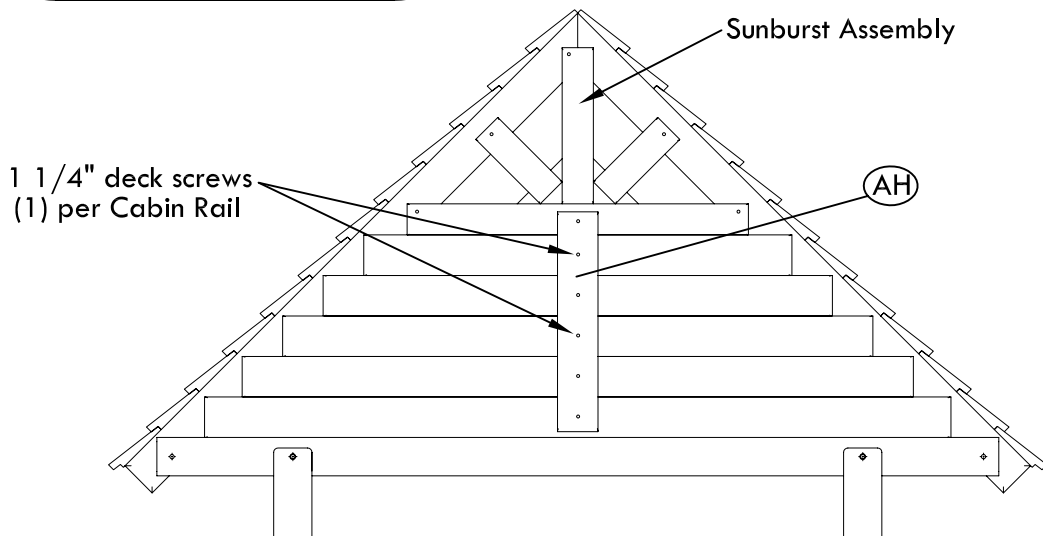
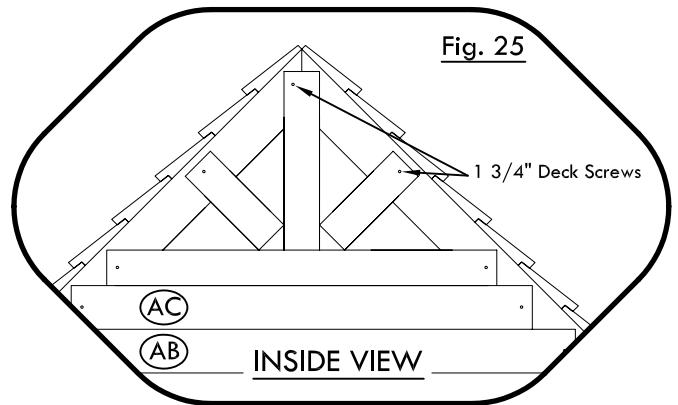
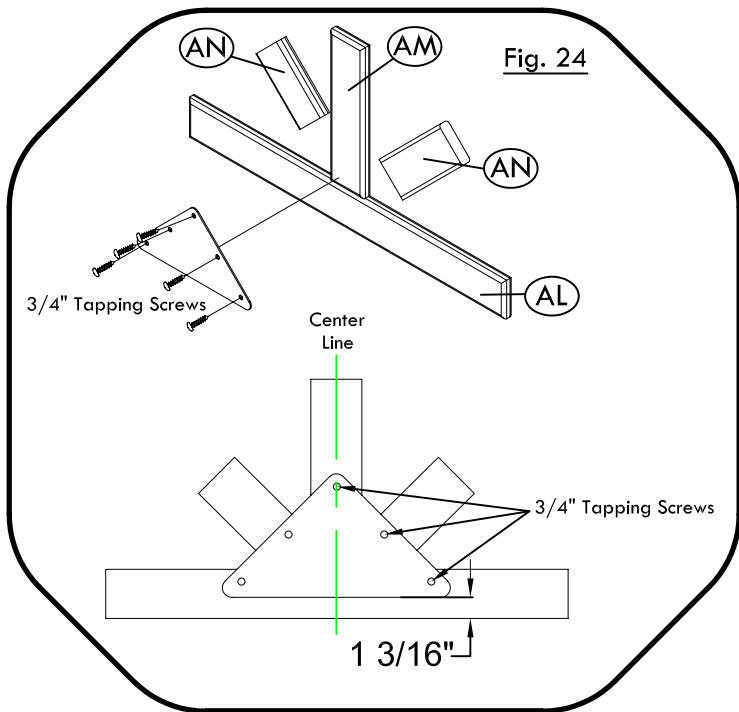
- Items Used in this Phase**  
 (2) Cabin Wall Braces 'AH'  
 (2) Sunburst Cross Spokes 'AL'  
 (2) Sunburst Vertical Spokes 'AM'  
 (4) Sunburst Angled Spokes 'AN'

**Step 1: Sunburst Installation:**

Set Items 'AL', 'AM' and 'AN' on flat surface as shown below. Place Metal Sunburst Plate on top and fasten with (5) 3/4" tapping screws through predrilled holes on the Plate. Attach Sunburst Assembly to the inside of Roof Truss 'F' with 1 3/4" deck screws as shown below. Repeat this Step for other side of Roof. (see Fig. 24 & 25)

**Step 2: Cabin Wall Brace 'AH' Attachment:**

Attach Cabin Wall Brace 'AH' to Cabin Rails and Sunburst Cross Spoke, centered, with (1) 1 1/4" deck screw per board as shown.



# Phase 16

## Swing Hanger Installation

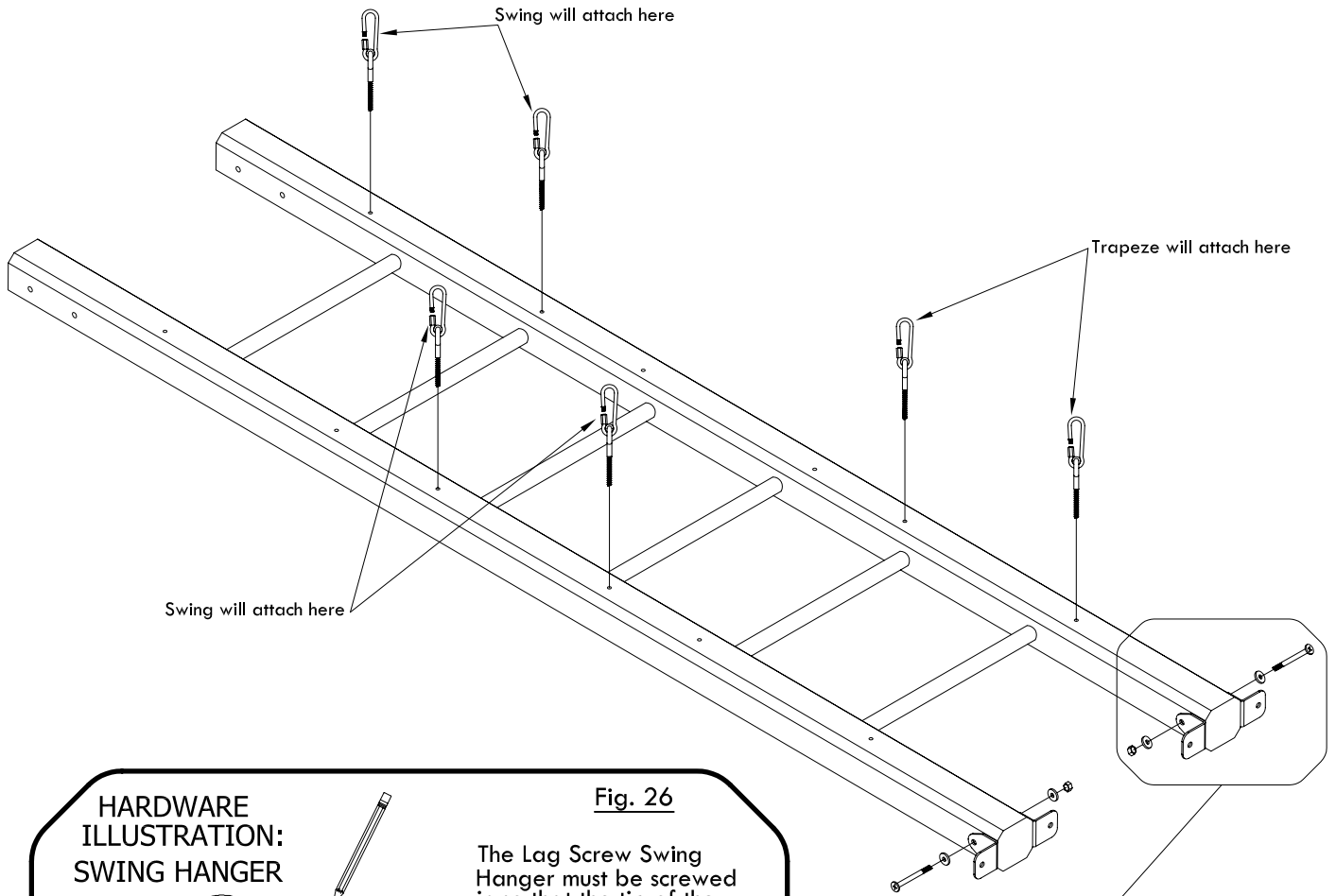
- Items Used in this Phase**  
(1) Monkey Bar Top Ladder 'A'  
(6) Swing Hanger Lag Screws

**Step 1: Swing Hanger Attachment:**

Screw lag screw swing hangers into pilot holes on Monkey Bar Top Ladder in pattern shown below. (Note, for future reference, where each swing activity will attach)

**Step 2: L-Bracket Attachment:**

Attach (2) L-brackets to the end of each Top Ladder Rail with hardware shown. (see Fig. 27)



**Fig. 26**

**HARDWARE ILLUSTRATION: SWING HANGER**

This point should touch the bottom of board.

Swing Hanger

The Lag Screw Swing Hanger must be screwed in so that the tip of the swing hanger is touching the receiving board.

**NOTE:** Triangular bend on swing hanger must run parallel with board.

**Fig. 27**

3 3/4" Hex Bolt

Fender Washer

Fender Washer lock nut

**Note:** Swing hangers must be installed according to hardware illustration above!

# Phase 17 Monkey Bar Assembly

## Items Used in this Phase

- (1) Monkey Bar Top Ladder 'A'
- (1) Monkey Bar End Ladder 'B'
- (4) Monkey Bar Plates

### Step 1: Monkey Bar Assembly:

Attach Monkey Bar Top Ladder 'A' to Monkey Bar End Ladder 'B' with metal Monkey Bar Plates, on each side of the rails, with the hardware shown in Fig. 28. (Make sure the swing hangers point down.)

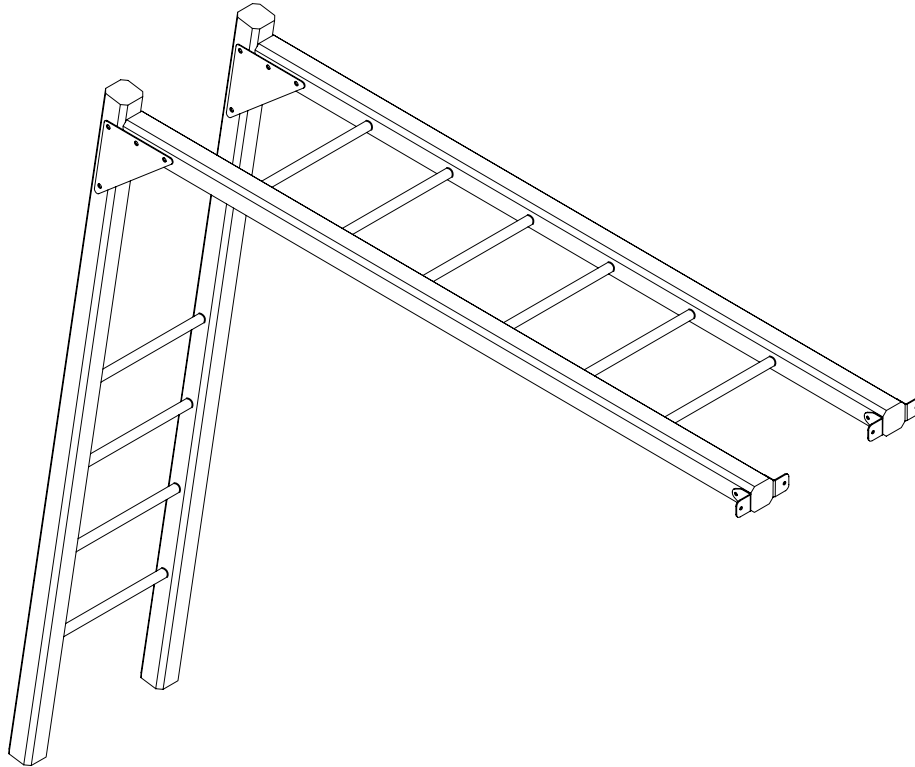
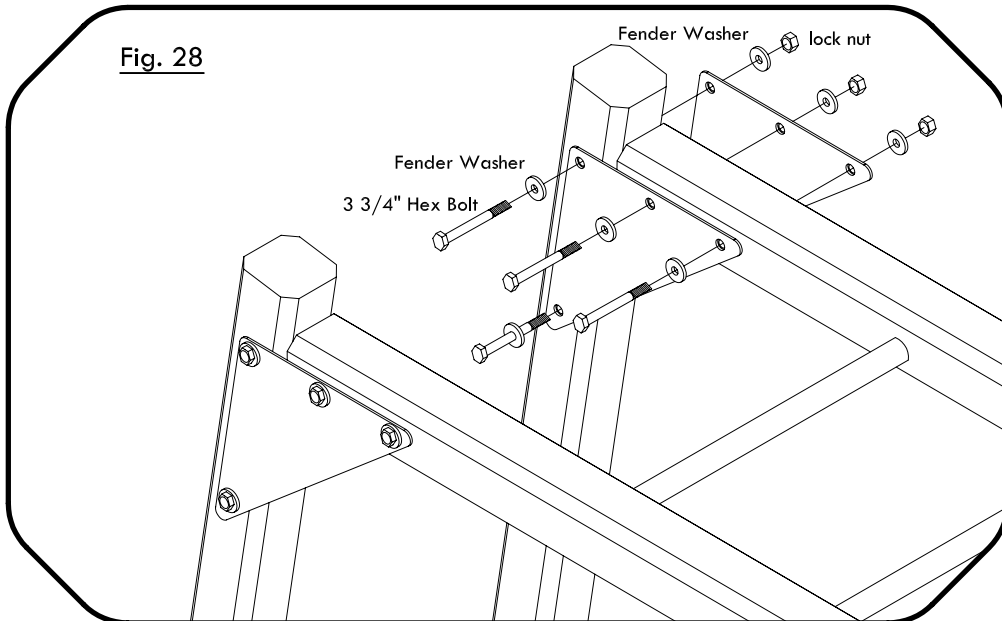


Fig. 28



# Phase 18 Monkey Bar Assembly

## Step 1: Bracket to Brace Attachment:

Attach Angle Brackets to Monkey Bar Angle Braces 'U' with 1 1/2" machine truss screws, fender washers and lock nuts as shown in Fig. 29.

## Step 2: Brace to Ground Beam Attachment:

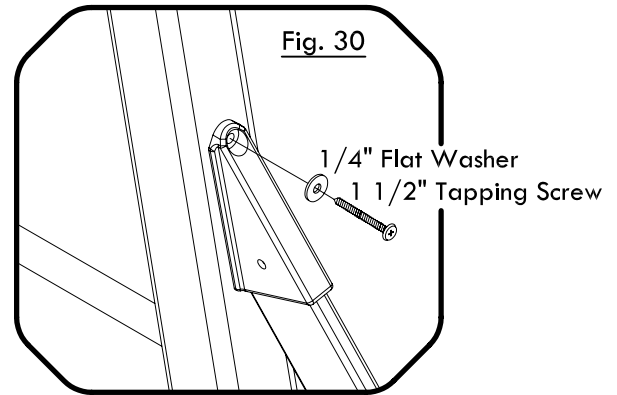
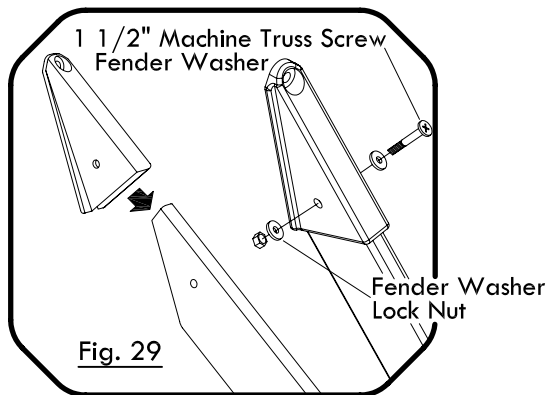
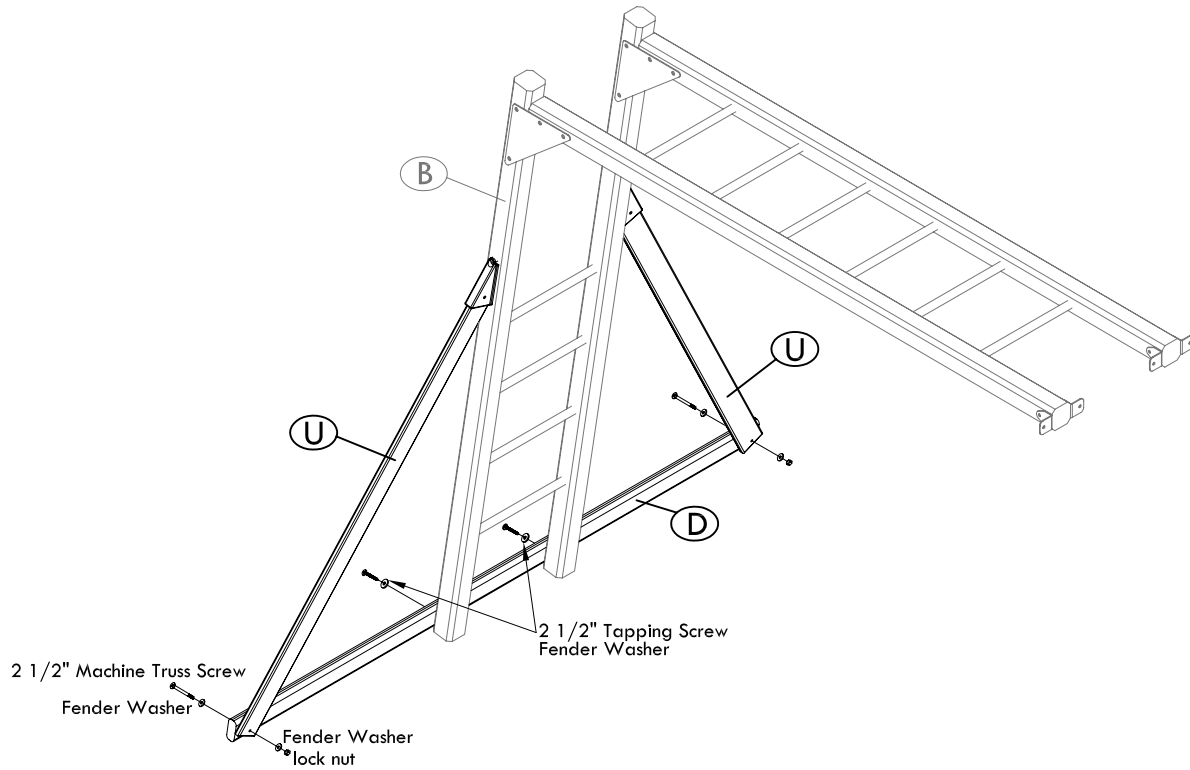
Attach Angle Braces 'U' to Monkey Bar Ground Beam 'D' with 2 1/2" machine truss screws, fender washers and lock nuts as shown.

## Step 3: Ground Beam to End Ladder Attachment:

Attach Monkey Bar Ground Beam 'D' to the bottom of the End Ladder 'B' with 2 1/2" tapping screws with fender washers as shown.

## Step 4: Angle Brace to End Ladder Attachment:

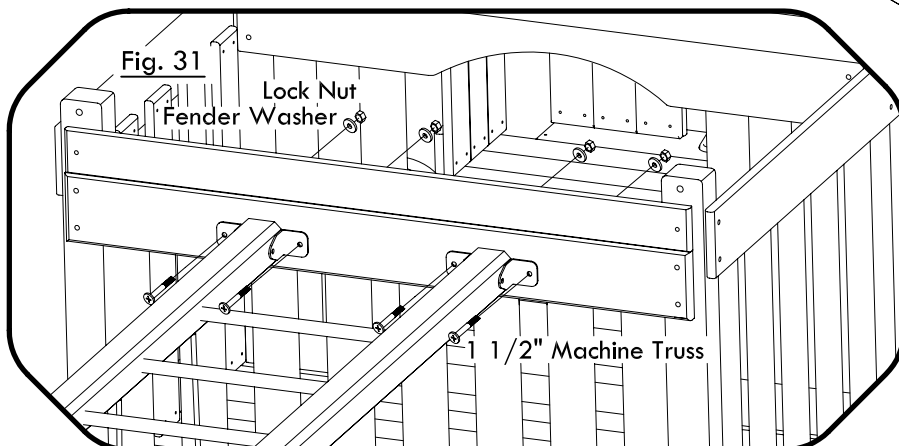
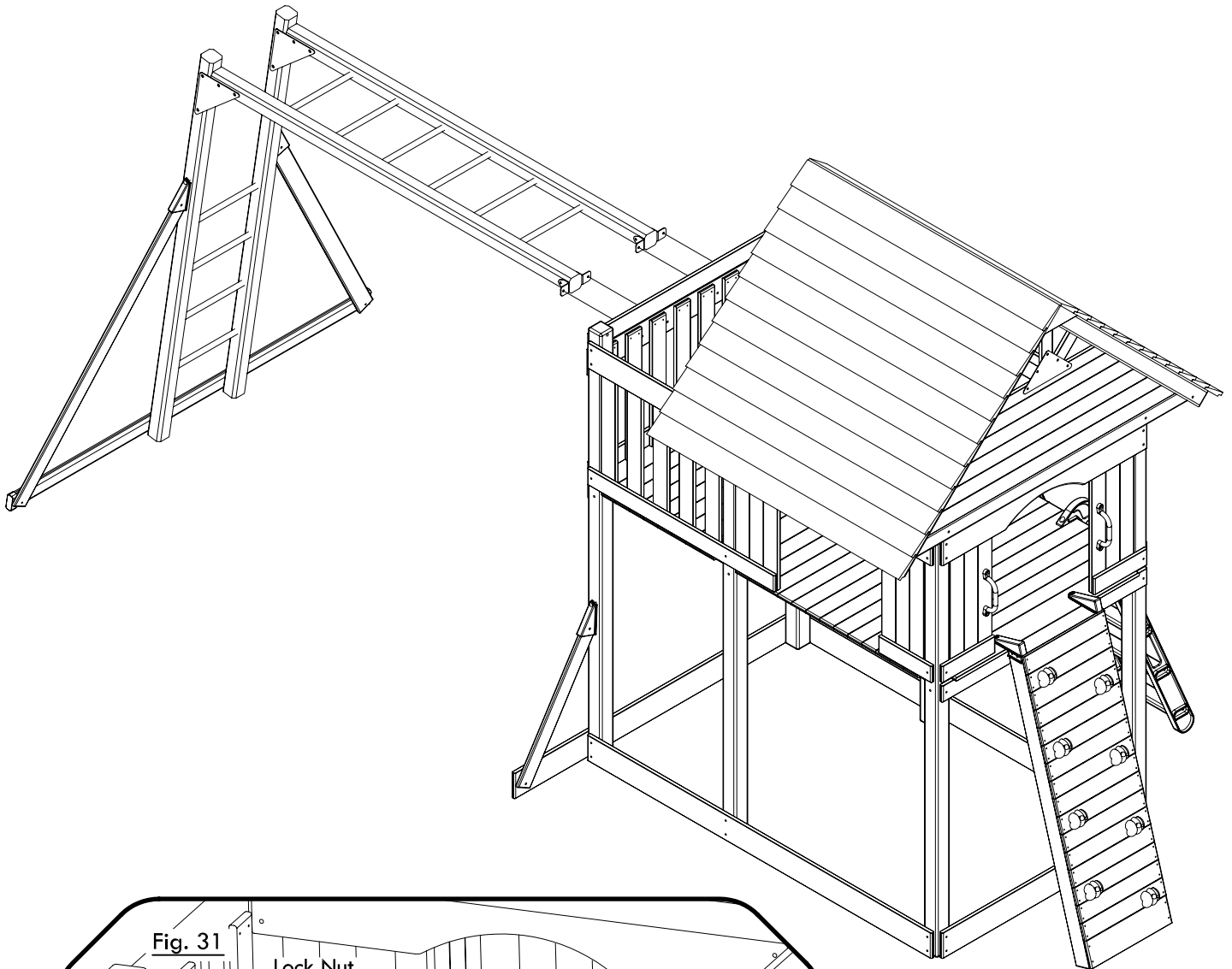
Attach Angle Braces 'U' to End Ladder 'B' with 1 1/2" tapping screws and 1/4" flat washers. (see Fig. 30)



# Phase 19 Monkey Bar Assembly

## Step 1: Monkey Bar to Fort Attachment:

Attach Monkey Bar Assembly to Monkey Bar Rail 'H' by placing a 1 1/2" machine truss screw through each L-bracket, through Rail 'H' and into a fender washer and lock nut on the backside. (see Fig. 31)



# Phase 20

## Picnic Table Installation

### Items Used in this Phase

- (4) Wall Rails 'Y'
- (1) Picnic Table Cleat 'AI'
- (1) Picnic Seat Cleat 'AK'
- (1) Panel Assembly 'AO'
- (1) Panel Assembly 'AP'

#### Step 1: Picnic Table Support Attachment:

Attach Fort Rails 'Y' (picnic table supports) to the inside of Uprights shown as follows.

- a) The Top Picnic Supports will attach 28" up from the bottom of the Uprights as shown in Fig. 32 & 33 with 2" tapping screws and fender washers.
- b) The Bottom Picnic Supports will attach 15" up from the bottom of the Uprights as shown in in Fig. 32 & 33 with 2" tapping screws and fender washers.

#### Step 2: Picnic Panel Cleat Attachment:

Attach Picnic Table Cleat 'AI' to the center of Board Panel 'AO' and Picnic Seat Cleat 'AK' to the center of Board Panel 'AP' with 1 1/4" deck screws as shown.

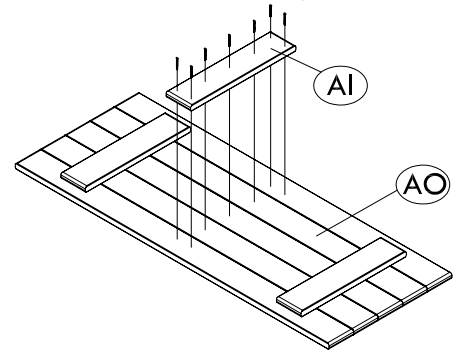
#### Step 3: Picnic Table Top Attachment:

Place Panel Assembly 'AO' on top of Picnic Table Supports 'Y' and attach, where shown on detail, with (4) 1 1/2" deck screws through the top of the Panel and into Supports.

#### Step 4: Picnic Table Seat Attachment:

Place Panel Assembly 'AP' on top of Picnic Table Supports 'Y' and attach, where shown on detail, with (4) 1 1/2" deck screws through the top of the Panel and into Supports.

(7) 1 1/4" deck screws



(5) 1 1/4" deck screws

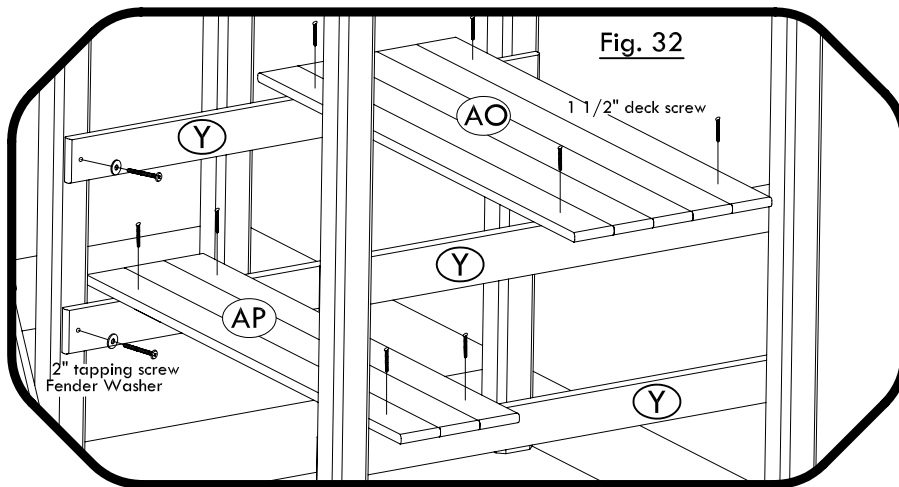
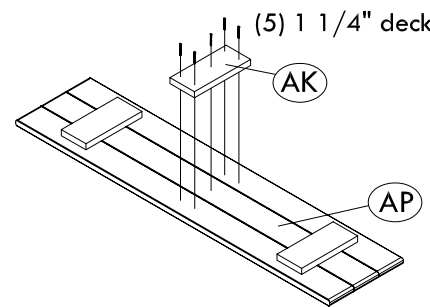


Fig. 32

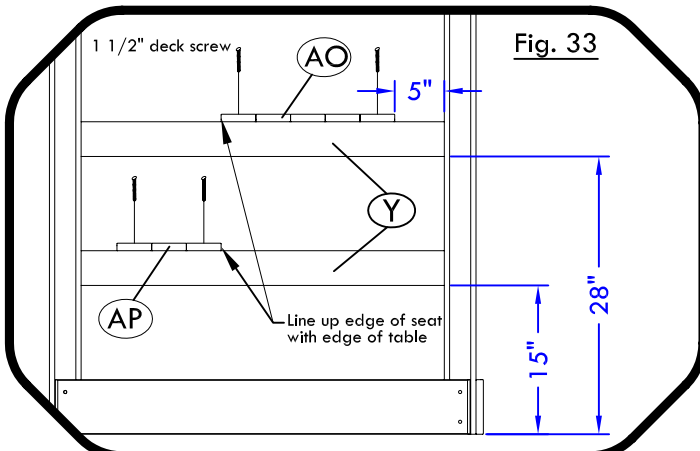


Fig. 33



# Phase 21

## Trapeze Assembly/ Swing Attachment

### Items Used in this Phase

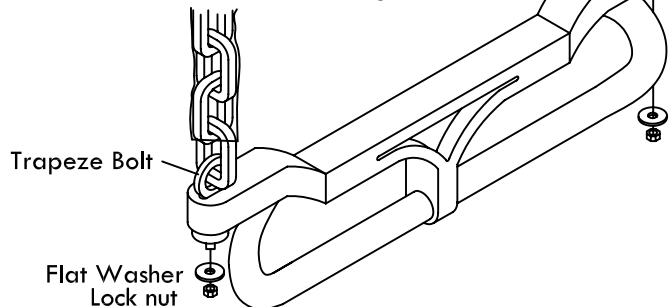
Trapeze Bar  
Trapeze Chain



Trapeze Bolt

**Step 1:**  
remove bolt from trapeze  
and loop one end of chain  
through bolt.

**Step 2:**  
place bolt back through hole  
on trapeze and place flat washer  
and lock nut on end and tighten.



**Step 3:**

Attach Swings and trapeze to Swing hangers where shown on Phase 16.

# Phase 22

## Slide Attachment

**Step 1: Positioning the Wave Slide:**

Center the wave slide in the opening  
opposite the deck ladder.

**Step 2: Drilling Slide Attachment Holes:**

Using a drill with a 5/16" bit, drill a  
hole through the indentions on the slide  
and through the fort floor.

**Step 3: Slide Attachment:**

Insert a 1/4" T-nut under the floor into  
drilled hole, and attach slide with  
1/4"x1 1/4" Machine truss screw and  
washers as shown in Fig. 34 below.

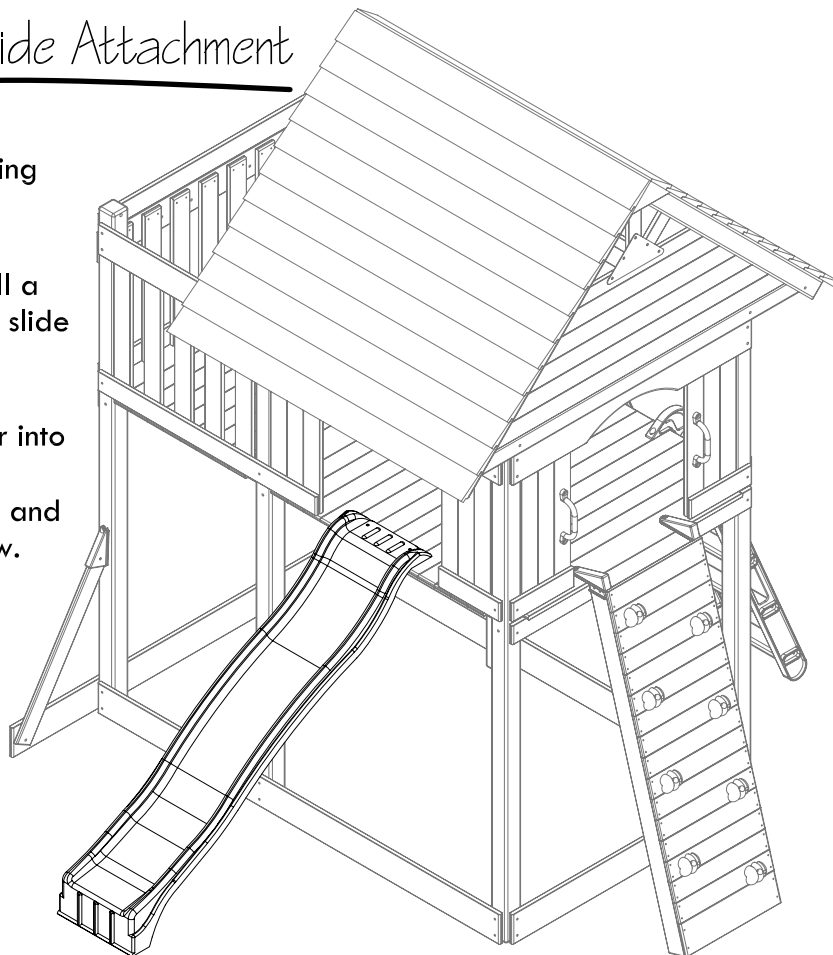
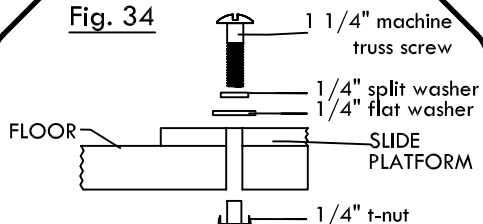


Fig. 34



Hammer t-nut in drilled hole from underside of  
floor. Place (2) 1/4 x 1 1/4" machine truss  
screw with 1/4" split & flat washer through slide  
and drilled hole and into t-nut.

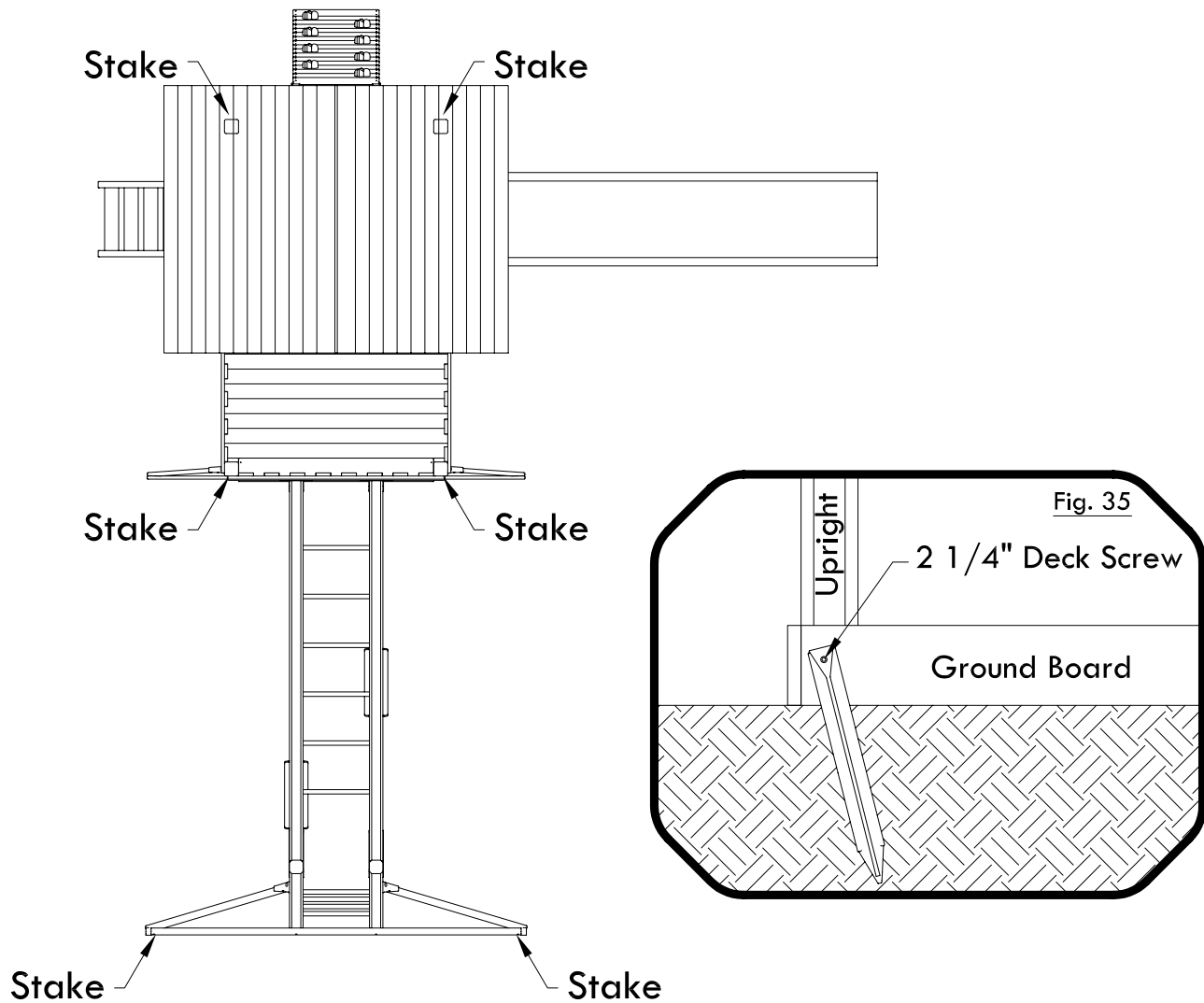
Secure with screwdriver.  
DO NOT OVER TIGHTEN!

# Phase 23

## Anchoring

### Step 1: Fort Anchoring:

Drive Stakes into ground against boards where shown below and attach with (1) 2 $\frac{1}{4}$ " deck screw each as shown in Fig. 35.



**Note:** Failure to use stakes can void warranty & cause injury.

**Final Step:** Double check and make sure every bolt, screw and nut is tight. Make sure every board is secure. Make sure the fort is level and enjoy your playset.



# Frequently Asked Questions

Q: What size of play area do you recommend around the playset so my child may play safe??

A: We recommend at least a six-foot play perimeter around the playset.

Q: My swing set seems to sway or rock too much. What is wrong?

A: Rocking is caused by uneven ground or obstructions such as rocks, roots, etc. under the ground rails. These obstructions should be removed and the ground underneath leveled to prevent rocking. If the fort itself is moving, it is usually caused because the fort is not staked down. Staking is required and will stop most of the movement.

Q: The end ladder is not straight up and down. What is wrong?

A: Nothing is wrong. The end ladder does not form a 90° angle. It has an angle to it.

Q: The S-hooks for my swings won't close. What is wrong?

A: The S-hook must be on a solid foundation when trying to close. It takes quite a few strokes, but the S-hook will close.

Q: The top ladder does not have holes for the swing hanger lags. Why not?

A: The top ladder is probably installed upside-down.

Q: My wood appears to be cracking. Is that a problem?

A: No, expansion and contraction of wood due to weather changes will cause slight cracking (technically called checking) and distortion. These are natural characteristics of wood and do not affect the structural integrity of the playset.

Q: My 2x4 boards do not measure 2"x4". Why not?

A: It has been common practice in the U.S. to use the rough-cut dimension from a sawmill to describe the width and height of a particular piece of lumber. Many retailers, designers, contractors and manufacturers utilize this description with a common and accepted knowledge that the actual size will vary from this description. Our sets are designed using the actual dimension. This ensures the sets will be assembled properly and be safe for the recommended use.

Q: How often should I re-stain my playset and what should I use?

A: The playset should be checked at least once a year depending on the weather. Lightly sand any rough areas and re-stain the set with a waterborne transparent stain.



# Limited Warranty

Adventure Playsets Inc. insures to the original owner of our product, that the components of our set are free from defect in materials and will be warranted for one year from the date of purchase. In addition, all wooden components will be warranted against rot or insect damage for 12 Years to the original owner. All non-wood components will carry a one-year warranty only.

All defective parts that are discovered and reported in the first thirty days after purchase will be replaced at no charge to the registered customer. After thirty days of purchase shipping and handling charges for replacement warranty parts will be passed on to the consumer.

All returned goods will be accessed by our customer service department. We will not accept any goods without an authorization code. Our customer service department will give out all codes. Failure to supply authorization code with shipment will void all said warranty. Our customer service department can be reached at 1-800-856-4445.

## **This Limited Warranty does not cover the following:**

- ❑ The cost of labor required to re-install or disassemble the defective component.
- ❑ The cost of air freight
- ❑ The cost of freight after the initial 30 days from purchase.
- ❑ Cosmetic defects that do not affect the structural integrity of the play center.
- ❑ Any abnormal conditions such as vandalism, improper installation, misuse or abuse, or improper maintenance.
- ❑ Damage done by nature such as wind, lightning, severe weather, etc...
- ❑ Natural defects of wood such as warping checking or any other physical properties of wood that do not present a hazard.

Adventure Playsets products have been carefully designed to insure your child's safety. Any modifications to your playsystem could result in serious injury as well as void all warranties.

**Our playsets are designed for Residential use only, for children between the ages of 3 and 10, for a single-family dwelling. Commercial use such as nurseries, parks or schools, voids all warranties and liabilities.**

# Warranty claim procedure

If you are confident that your playsystem has been installed and maintained properly, and you have a warranty claim, proceed with the following steps:

1. We will need copy of your proof of purchase (Vendor sales receipt only.)
2. We require a brief written description of the warranty issue.
3. Photos of warranted parts and of the entire play system.

If **any** of the above steps are not completed, there may be delays in the completion of your claim, or possibly warranty cancellation.

Mail information to:

**Adventure Playsets  
14201 I-27  
Amarillo, Texas  
79119**

or email at

**[custservice@adventureplaysets.com](mailto:custservice@adventureplaysets.com)**

Our customer service department will review the claim and make contact with the customer by mail or by phone. The customer will only pay for shipping and handling to and from factory if warranty is approved.

**1-800-856-4445**

Service department hours Monday thru Friday 9am to 5pm

Saturday 9am to 2pm

Central standard time

## Customer Registration Card

Name: \_\_\_\_\_

Address: \_\_\_\_\_

City: \_\_\_\_\_ State: \_\_\_\_\_ Zip: \_\_\_\_\_

Home Phone: \_\_\_\_\_

Date of Purchase: \_\_\_\_\_ Date Stamped on Box: \_\_\_\_\_

Vendor Name: \_\_\_\_\_

City: \_\_\_\_\_ State: \_\_\_\_\_ Zip: \_\_\_\_\_

Unit Model: 1-AP031-06 Unit Name: The Ultimate Wooden Playcenter - 2006

Please check the boxes below:

How old are you?

18-30       31-43       44-56       Older than 56

How would you rate the quality of our product?

Above Average       Average       Fair       Poor

How would you rate the ease of assembly of our product?

Above Average       Average       Fair       Poor

How would you rate our instructions?

Above Average       Average       Fair       Poor

Would you recommend our product to friends & family?

Yes       No

How old are your children?

3-4       5-6       7-8       9-10

Where did you hear about us?

Friend       Store Display       Advertisement       Internet

Comments: \_\_\_\_\_

\_\_\_\_\_  
\_\_\_\_\_  
\_\_\_\_\_  
\_\_\_\_\_



# Customer Registration Card

**Do not forget to send in your registration card to the factory.  
This card will validate your time of purchase for warranty items.**

Fold here

---

**Place  
stamp  
here**

**Adventure Playsets  
14201 I-27  
Amarillo Texas, 79119**

**THIS IS YOUR UK WARRANTY CARD - PLEASE RETAIN THIS PART**

YOU WILL NEED TO QUOTE THE DETAILS BELOW TO OBTAIN PARTS UNDER WARRANTY

The Ultimate Wooden Playcenter  
1-AP031-06

Purchased from: ..... Date:.....



Plum Products Ltd:

Helpline for Parts and Enquiries: 08700 170 580 (UK)

✂.....

**TO VALIDATE UK WARRANTY - PLEASE RETURN THIS PART**

PLEASE RETURN THIS HALF WITH A  
COPY OF YOUR SALES RECEIPT TO:

PLUM PRODUCTS DISTRIBUTION CENTRE  
DEPT REG  
INGHAM  
LINCS  
LN1 2YQ

CUSTOMER DETAILS:

Name:.....

Address .....

.....

Postcode:.....

Purchased from:.....

Purchase Date:.....

The Ultimate Wooden Playcenter  
1-AP031-06